



Stainless Steel **Tube, Pipe**
& **Fittings**





One Trusted Source - Worldwide

If ever there were industries with a low tolerance for imperfection, they would be the semiconductor, TFT/LCD, and solar industries. At Valex, these are our customers. As manufacturing processes grow more precise, our customers' needs for stainless steel piping systems evolve to ever more demanding levels of cleanliness, leak integrity, corrosion resistance, and surface finish. A consistent and reliable source for the highest quality components and assemblies is essential for their success.

For over four decades, Valex has been the leading manufacturer of stainless steel tube, fittings, valves, and assemblies that allow our customers to meet their construction schedules and yield goals. Along the way, we've introduced the most important advances in fittings design, electropolishing, precision cleaning, and integrated assemblies. With three manufacturing plants, each strategically located in major markets, Valex offers the largest capacity of any supplier. We are the only manufacturer of the full size range of products used by global customers - inch sizes and JIS sizes - all under Valex control.

Our unrivaled experience, in-house capacity, unmatched product breadth, and singular focus on only the most demanding industries have led customers around the world to the same conclusion - Valex is their **one trusted source**.



Product Lines	
Valex Product Line Specifications.....	4
Electropolishing	
Electropolishing Process	15
Quality	
Quality Assurance & Testing Capability.....	16
Process	
Production Process	17
Tube & Pipe	
Dimensional Charts.....	22
Elbows	
Dimensional Charts.....	27
Tees	
Dimensional Charts.....	38
Crosses	
Dimensional Charts.....	54
Reducers	
Dimensional Charts.....	56
End Caps	
Dimensional Charts.....	71
Stub Ends	
Dimensional Charts.....	74
Flanges	
Dimensional Charts.....	79
Coaxial Tube, Pipe & Fittings	
Usage Information & Dimensional Charts.....	89
Ordering Information	
For All Vallex Product Lines.....	98

* Dimensional charts are subject to change. Please visit Valex.com or call your local Vallex representative for the latest information.

Product Lines

Ultra High Purity,
Electropolished

- 401
- 301
- LDEP

Cleaned for
Oxygen Service

- 201
- 101
- CFOS

UNS N06022 Alloy

- 444
- 222

444

LDEP

CFOS

301

401

201

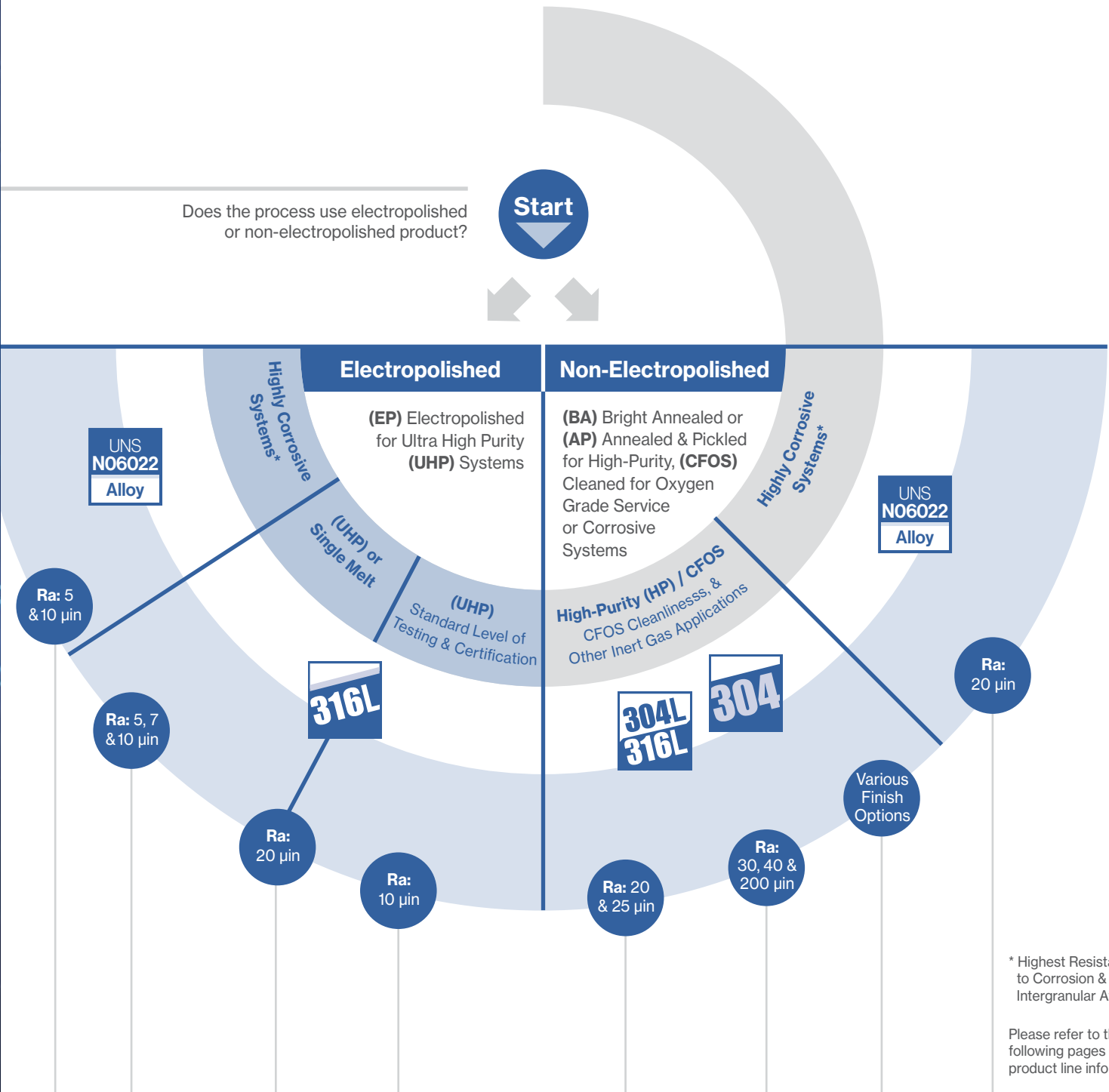
101

222

Product Line Selector

Does the process use electropolished or non-electropolished product?

Start



* Highest Resistance to Corrosion & Intergranular Attack

Please refer to the following pages for additional product line information.

401

Product Line



Valex Specification SP-9220

Applications

Ultra High Purity Systems requiring the highest grade of materials and certifications, Electropolished

Alloy

316L Stainless steel, single-melt or double-melt (seamless or welded, depending on size)

Sizes

ASTM Tube: 1/8" to 6"

ASTM Fittings: 1/4" to 6"

JIS Pipe: 8A to 300A

I.D. Surface Finish Options

A5: 5 μ m Ra max

A7: 7 μ m Ra max

BO: 10 μ m Ra max

CO: 10 μ m Ra

Tolerances

In accordance with ASTM: A 269, A 632 & JIS: G 3459

Weld Ends

Tube: Square ends suitable for orbital welding

Pipe: Square or beveled end options

Testing & Inspection

- Visual inspection
- Surface roughness measurement
- Helium-leak testing
- Scanning Electron Microscopy (SEM)
- Auger Electron Microscopy (AES)

- Election Spectroscopy for Chemical Analysis (ESCA or XPS)
- Particle testing
- Moisture testing

Marking & Traceability

Each component is traceable to its producing mill and heat by an identification number marked within 24" (610mm) of one end.

Labeling

Each component's bag is affixed with a label identifying the component's part number, date and Valox lot number.

Documentation

A quality inspection certificate is furnished with each shipment. The report contains the following information:

- Material composition & applicable specification designation
- Nominal outside diameter size
- Chemical composition
- Statement of quality assurance testing
- Inspection Certificate type 3.1 per EN 10204:2004
- Lot & heat identification for traceability

Packaging

All components are purged with UHP nitrogen, capped, double-bagged and packaged for shipment in such a manner, which prevents damage to product and primary product packaging.

301

Product Line

Valex Specification SP-9223

Applications

Ultra High Purity Systems, Electropolished

Alloy

316L Stainless steel, single-melt
(seamless or welded, depending on size)

Sizes

ASTM Tube: 1/8" to 6"

I.D. Surface Finish

10 μ m Ra

Tolerances

In accordance with ASTM: A 269 & A 632

Weld Ends

Square ends are suitable for orbital welding

Testing & Inspection

- Visual inspection
- Surface roughness measurement
- Dimensional inspection

Marking & Traceability

Each component is traceable to its producing mill and heat by an identification number marked within 24" (610mm) of one end.

Labeling

Each component's bag is affixed with a label identifying the component's part number, date and Valex lot number.

Documentation

A quality inspection certificate is furnished with each shipment. The report contains the following information:

- Material composition & applicable specification designation
- Nominal outside diameter size
- Chemical composition
- Statement of quality assurance testing
- Inspection Certificate type 3.1 per EN 10204:2004
- Lot & heat identification for traceability

Packaging

All components are purged with UHP nitrogen, capped, double-bagged and packaged for shipment in such a manner, which prevents damage to product and primary product packaging.



LDEP

Product Line

Valex Specification SP-9235

Applications

Ultra High Purity Systems, Electropolished

Alloy

316L Stainless steel, single-melt
(seamless or welded, depending on size)

Sizes

JIS Pipe: 25A to 800A
ASTM/ASME Pipe: NPS 2 to NPS 24

I.D. Surface Finish

20 μin Ra average, 25 μin Ra max

Tolerances

In accordance with applicable ASTM,
ASME & JIS specifications

Weld Ends

Square or beveled end options

Testing & Inspection

- Visual inspection
- Surface roughness measurement
- Helium-leak testing
- Scanning Electron Microscopy (SEM)
- Auger Electron Microscopy (AES)

Marking & Traceability

Each component is traceable to its producing mill and heat by an identification number marked within 24" (610mm) of one end.

Labeling

Each component's bag is affixed with a label identifying the component's part number, date and Vallex lot number.

Documentation

A quality inspection certificate is furnished with each shipment. The report contains the following information:

- Material composition & applicable specification designation
- Nominal outside diameter size
- Chemical composition
- Statement of quality assurance testing
- Inspection Certificate type 3.1 per EN 10204:2004
- Lot & heat identification for traceability

Packaging

All components are capped, bagged and packaged for shipment in such a manner, which prevents damage to product and primary product packaging.



201

Product Line

Valex Specification SP-9206

Applications

High-Purity Systems

Alloy

316L, 304L, or 304 Stainless steel, single-melt (seamless or welded, depending on size)

Sizes

ASTM Tube: 1/8" to 6"

ASTM Fittings: 1/4" to 6"

JIS Pipe & Fittings: 15A to 600A

I.D. Surface Finish

ASTM Tube: 25 µin Ra max

ASTM Tube Fittings: 20 µin Ra max

JIS Pipe: 25 µin Ra max

JIS Pipe Fittings: 25 µin Ra max

Tolerances

In accordance with ASTM: A 269 & A 632

JIS: G 3459 & G 3468

Weld Ends

Tube: Square ends suitable for orbital welding

Pipe: Square or beveled end options

Testing & Inspection

- Visual inspection
- Surface roughness measurement

- Helium-leak testing
- Dimensional inspection

Marking & Traceability

Each component is traceable to its producing mill and heat by an identification number marked within 24" (610mm) of one end.

Labeling

Each component's bag is affixed with a label identifying the component's part number, date and Valox lot number.

Documentation

A quality inspection certificate is furnished with each shipment. The report contains the following information:

- Material composition & applicable specification designation
- Nominal outside diameter size
- Chemical composition
- Statement of quality assurance testing
- Inspection Certificate type 3.1 per EN 10204:2004
- Lot & heat identification for traceability

Packaging

All components are capped, bagged and packaged for shipment in such a manner, which prevents damage to product and primary product packaging.



101

Product Line

Valex Specification SP-9204

Applications

High-Purity Systems

Alloy

316L, 304L, or 304 Stainless steel, single-melt (seamless or welded, depending on size)

Sizes

ASTM Tube: $\frac{1}{8}$ " to 6"

JIS Pipe: 15A to 800A

I.D. Surface Finish

ASTM Tube: $\frac{1}{8}$ " to 4" = 30 $\mu\text{in Ra}$
6" = 200 $\mu\text{in Ra}$

JIS Pipe: 15A to 100A = 40 $\mu\text{in Ra}$
125A to 800A = 200 $\mu\text{in Ra}$

Tolerances

In accordance with ASTM: A 269 & A 632,
JIS: G 3459 & G 3468

Weld Ends

Tube: Square ends suitable for orbital welding

Pipe: Square or beveled end options

Testing & Inspection

- Visual inspection
- Surface roughness measurement
- Dimensional inspection

Marking & Traceability

Each component is traceable to its producing mill and heat by an identification number marked within 24" (610mm) of one end.

Labeling

Each component's bag is affixed with a label identifying the component's part number, date and Valox lot number.

Documentation

A quality inspection certificate is furnished with each shipment. The report contains the following information:

- Material composition & applicable specification designation
- Nominal outside diameter size
- Chemical composition
- Statement of quality assurance testing
- Inspection Certificate type 3.1 per EN 10204:2004
- Lot & heat identification for traceability

Packaging

All components are capped, bagged and packaged for shipment in such a manner, which prevents damage to product and primary product packaging.



CFOS

Product Line

Valex Specification SP-9234

Applications

High Purity Systems

Alloy

316L, 304L, or 304 Stainless steel, single-melt (seamless or welded, depending on size)

Sizes

ASTM Tube & Fittings: 1/4" to 6"

JIS Pipe: 25A to 800A

JIS Fittings: 15A to 800A

ASTM/ASME Pipe: NPS 2 to NPS 30

ASTM/ASME Fittings: NPS 1/2 to NPS 24

I.D. Surface Finish Options

AP: Annealed & pickled

ID40: 40 µin Ra Internal finish

IDMP: Mechanically polished

BA: Bright annealed

BA40: Bright annealed with 40 µin Ra internal finish

Tolerances

In accordance with ASTM, ASME & JIS specifications

Weld Ends

Tube: Square ends suitable for orbital welding

Pipe: Square or beveled end options

Testing & Inspection

- Visual inspection

- Surface roughness measurement
- Dimensional inspection

Marking & Traceability

Each component is traceable to its producing mill and heat by an identification number marked within 24" (610mm) of one end.

Labeling

Each component's bag is affixed with a label identifying the component's part number, date and Valox lot number.

Documentation

A quality inspection certificate is furnished with each shipment. The report contains the following information:

- Material composition & applicable specification designation
- Nominal outside diameter size
- Chemical composition
- Statement of quality assurance testing
- Inspection Certificate type 3.1 per EN 10204:2004
- Lot & heat identification for traceability

Packaging

Packaged for shipment in such a manner, which prevents damage to product and primary product packaging.

444

Product Line

Valex Specification SP-9241

Applications

Ultra High Purity Systems in Extremely Corrosive Applications, Electropolished

Alloy

Nickel-Chromium-Molybdenum-Tungsten Alloy (UNS Designation N06022)¹

Sizes

ASTM Tube Segments: 1/4" to 3/4"

I.D. Surface Finish

5 µin Ra

10 µin Ra

Tolerances

Outside diameter: ±.005"

Wall thickness: ±12.5% / -25%

Weld Ends

Square ends suitable for orbital welding

Testing & Inspection

- Visual inspection
- Surface roughness measurement
- Dimensional inspection

Marking & Traceability

Each component is traceable to its producing mill and heat by an identification number marked on the tube segment length.

Labeling

Each component's bag is affixed with a label identifying the component's part number, date and Valox lot number.

Documentation

A quality inspection certificate is furnished with each shipment. The report contains the following information:

- Material composition & applicable specification designation
- Nominal outside diameter size
- Chemical composition
- Statement of quality assurance testing
- Inspection Certificate type 3.1 per EN 10204:2004
- Lot & heat identification for traceability

Packaging

All components are purged with UHP nitrogen, capped, bagged and packaged for shipment in such a manner, which prevents damage to product and primary product packaging.

¹ Haynes Hastelloy® C-22® is available upon request. Hastelloy and C-22 are registered trademarks of Haynes International Inc.

222

Product Line

Valex Specification SP-9207

Applications

Extremely corrosive systems

Alloy

Nickel-Chromium-Molybdenum-Tungsten Alloy
(UNS Designation N06022)¹

Sizes

ASTM Tube: 1/4" to 3/4"

I.D. Surface Finish

20 µin Ra max

Tolerances

Outside diameter: ±.005"

Wall thickness: ±12.5%

Weld Ends

Square ends suitable for orbital welding

Testing & Inspection

- Visual inspection
- Surface roughness measurement
- Fittings leak test
- Dimensional inspection

Marking & Traceability

Each component is traceable to its producing mill and heat by an identification number marked within 24" (610mm) of one end.

Labeling

Each component's bag is affixed with a label identifying the component's part number, date and Valex lot number.

Documentation

A quality inspection certificate is furnished with each shipment. The report contains the following information:

- Material composition & applicable specification designation
- Nominal outside diameter size
- Chemical composition
- Statement of quality assurance testing
- Inspection Certificate type 3.1 per EN 10204:2004
- Lot & heat identification for traceability

Packaging

All components are purged with UHP nitrogen, capped, bagged and packaged for shipment in such a manner, which prevents damage to product and primary product packaging.

¹ Haynes Hastelloy® C-22® is available upon request.
Hastelloy and C-22 are registered trademarks of Haynes International Inc.

Coaxial

Product Line



Valex Specification SP-9222

Applications

Contingent upon customers specifications

Alloy

316L, 304L, or 304 Stainless steel,
(Tubing & sleeves are seamless or welded,
depending on customers specifications)

Sizes

ASTM	.250" x .500"	.375" x .625"	.500" x .750"
Tube:	.750" x 1.00"	1.00" x 1.25"	1.50" x 2.00"
	2.00" x 2.50"		

JIS	10A x 20A	15A x 25A	20A x 32A
Pipe:	25A x 40A	32A x 40A	

I.D. Surface Finish Options

A5: 5 µin Ra max	B0: 10 µin Ra max
A7: 7 µin Ra max	C0: 10 µin Ra

Tolerances

In accordance with ASTM: A 269 & A 632 & JIS: G 3459

Weld Ends

Square ends suitable for orbital welding

Testing & Inspection

Outer Tube:

- Visual Inspection
- Dimensional Inspection
- Outer Tube Leak Testing

Inner Tube:

- Per Vallex Specification: SP-9204, SP-9206, SP-9207, SP-9220, or SP-9223

Marking & Traceability

Each component is traceable to its producing mill and heat by an identification number.

Labeling

Each component's bag is affixed with a label identifying the component's part number, date and Vallex lot number.

Documentation

A quality inspection certificate for the inner tube is furnished with each shipment. The report contains the following information:

- Material composition & applicable specification designation
- Nominal outside diameter size
- Chemical composition
- Statement of quality assurance testing
- Inspection Certificate type 3.1 per EN 10204:2004
- Lot & heat identification for traceability

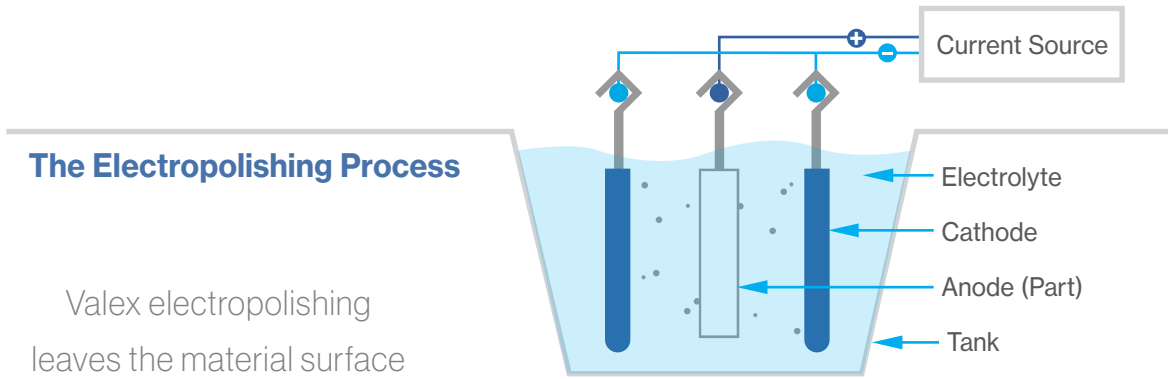
Packaging

Assembled product packaged per applicable specification.

Smoothing Out the Peaks & Valleys

When the highest levels of purity, corrosion resistance, and overall performance are required, customers select Valex UHP electropolished (EP) products. Under magnification, raw material surfaces appear rough, and composed of many “peaks and valleys”. During our EP process, surface metal is removed ion-by-ion, at an electron-microscopic level. Parts are subjected to an electrolytic solution and current, where surface material is selectively dissolved, more aggressively at the peaks than the valleys, smoothing out these undulations. The result is a micro-smooth and contaminant-free surface.

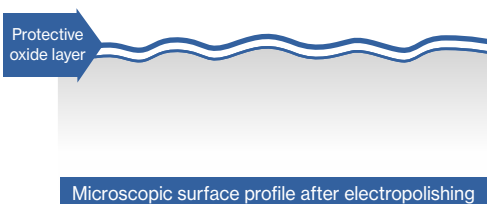
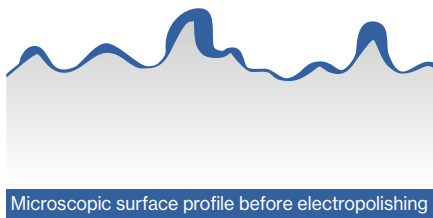
Electropolished surfaces benefit from increased corrosion resistance, and improved surface finish, resulting in increased production yields at customer sites. Our EP processes have been refined and tuned over multiple decades, to produce the most uniform, repeatable finishes – that are universally accepted as the gold-standard for which to compare.



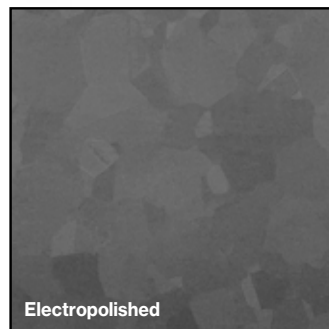
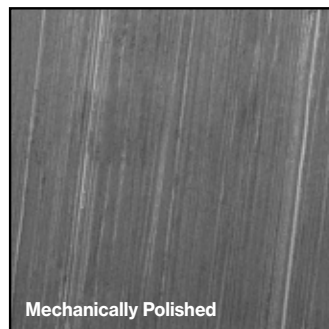
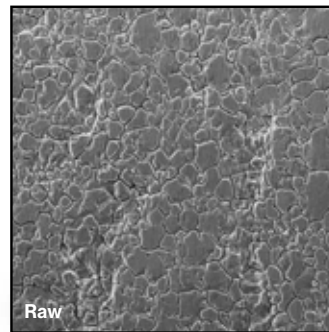
The Electropolishing Process

Valex electropolishing leaves the material surface microscopically smooth & essentially featureless.

Peaks are more aggressively removed due to higher current density



SEM photos at 500X magnification



Electropolishing

Quality



Tested Beyond the Standard

Product testing and certification are in strict accordance with industry-leading Valex specifications. Going well beyond our own requirements, we have brought sophisticated testing technology in-house, including a Scanning Electron Microscope (SEM) to assure electropolish quality and metallurgical integrity, as well as X-ray Fluorescence (XRF) spectroscopy equipment to verify elemental composition of the stainless steel. These, and many other steps unique to us, add unmatched levels of control that assure Valex products not only meet, but exceed specifications and customer expectations.

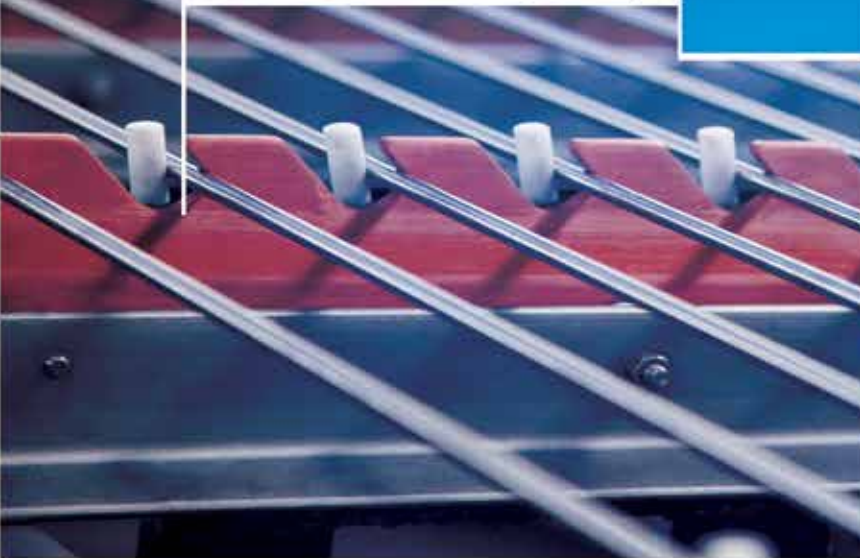


Process

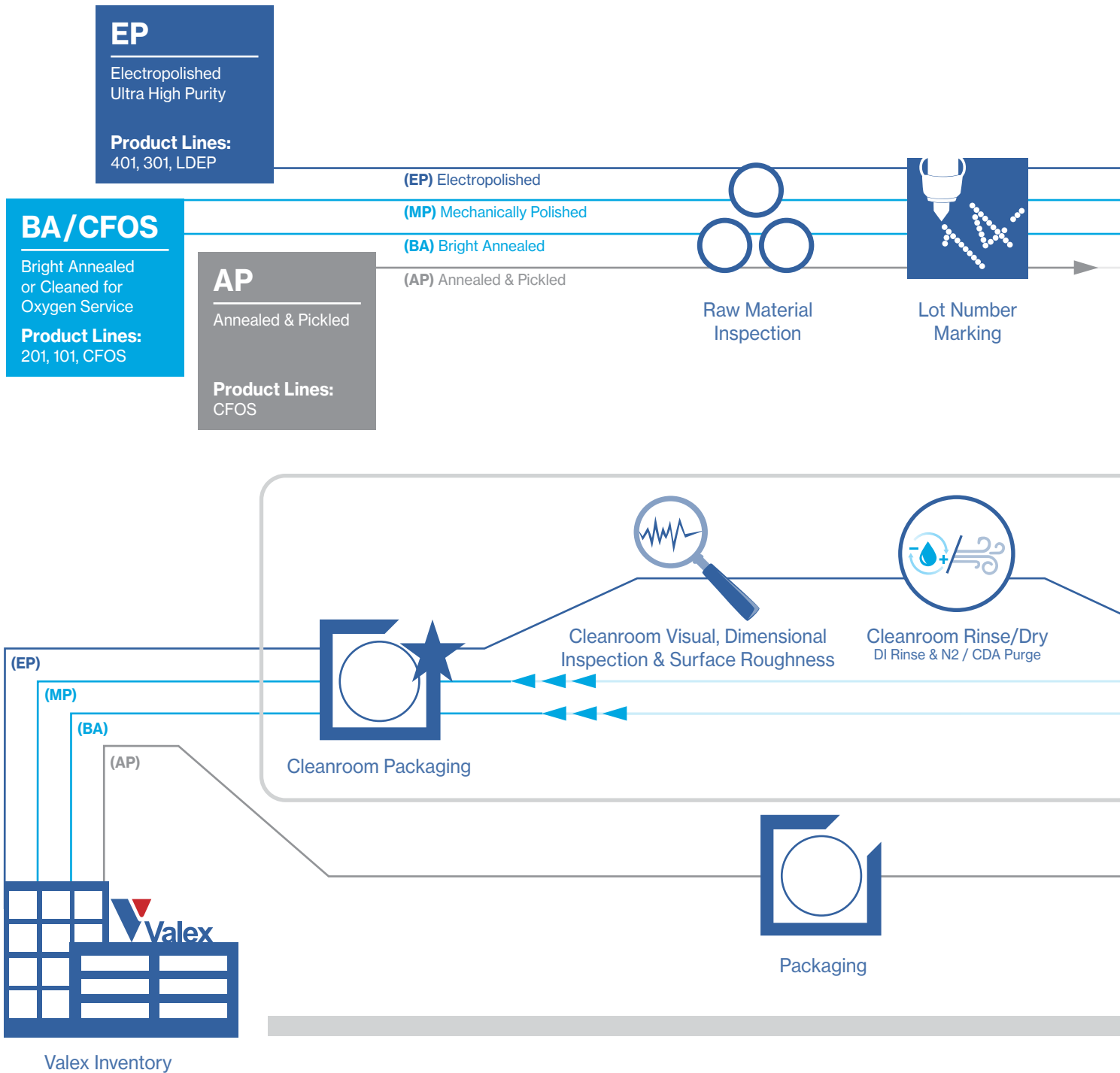
Processed for Success

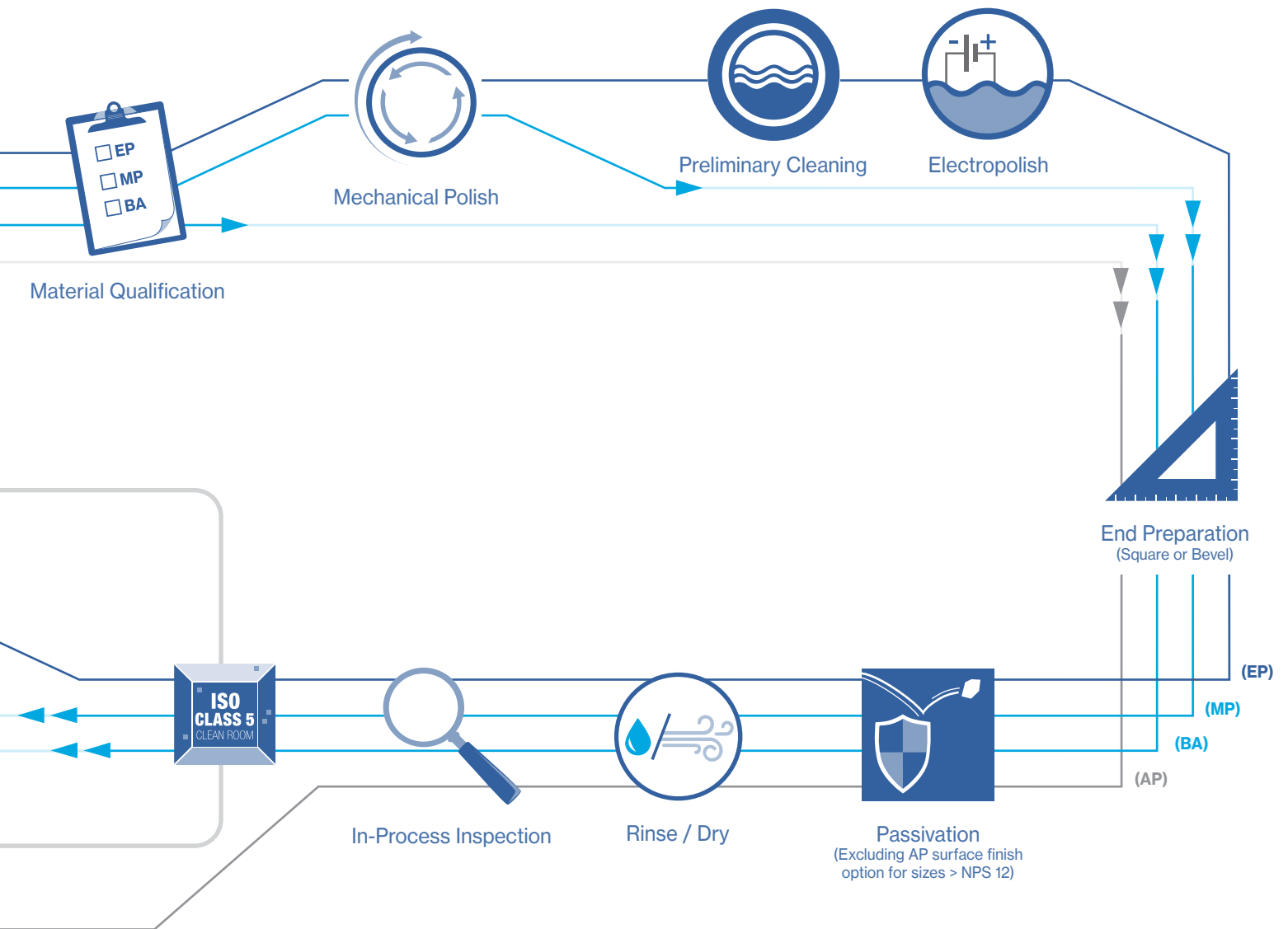
Continued refinement and advancement is the inevitable progression for Valex-designed manufacturing equipment and processes. Over the years, these developments have resulted in the largest range of choice for size and surface finish options of ASTM, ASME, and JIS components available to our customers.

All of our products conform to identical Valex specifications, using the same proven processes and equipment at each of our three manufacturing facilities. Each facility consistently manufactures product exceeding performance requirements, while creating and maintaining Ultra High Purity using ISO Class 5 clean rooms with semiconductor-quality deionized water and nitrogen – assuring the highest levels of product integrity and performance.

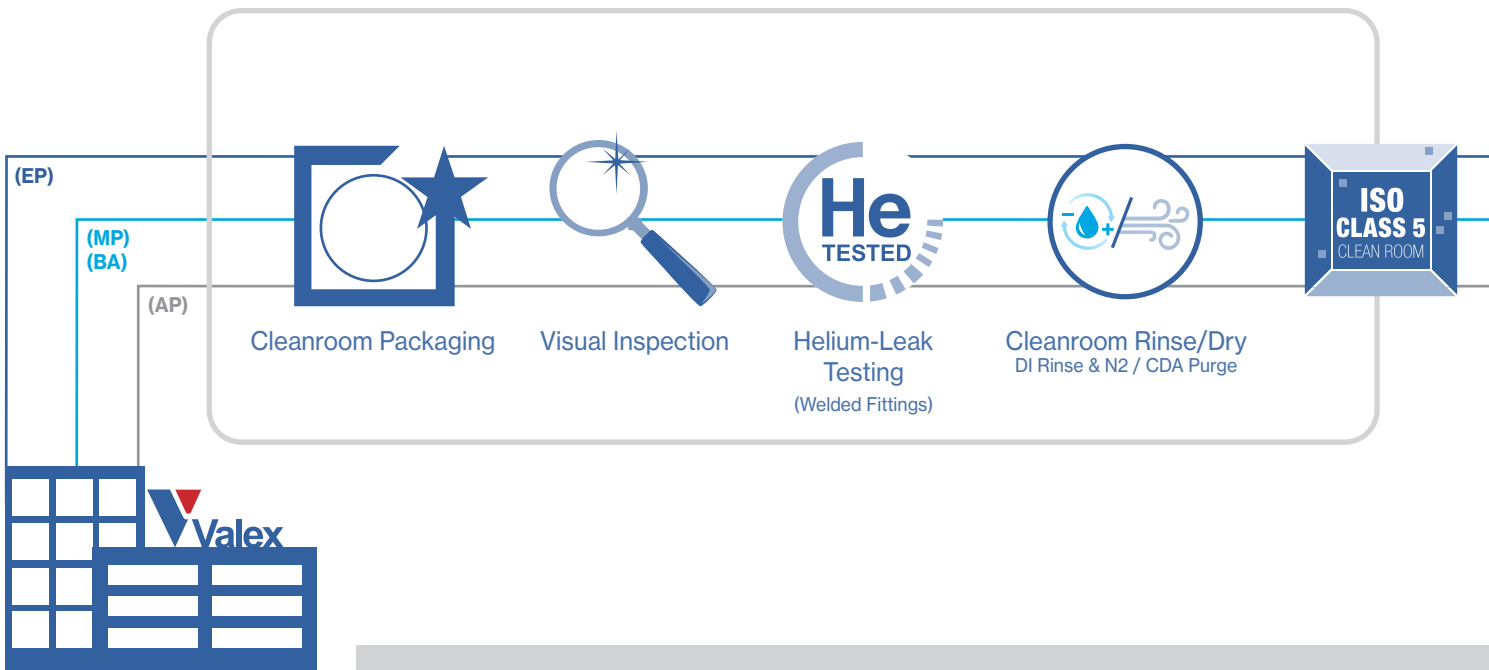
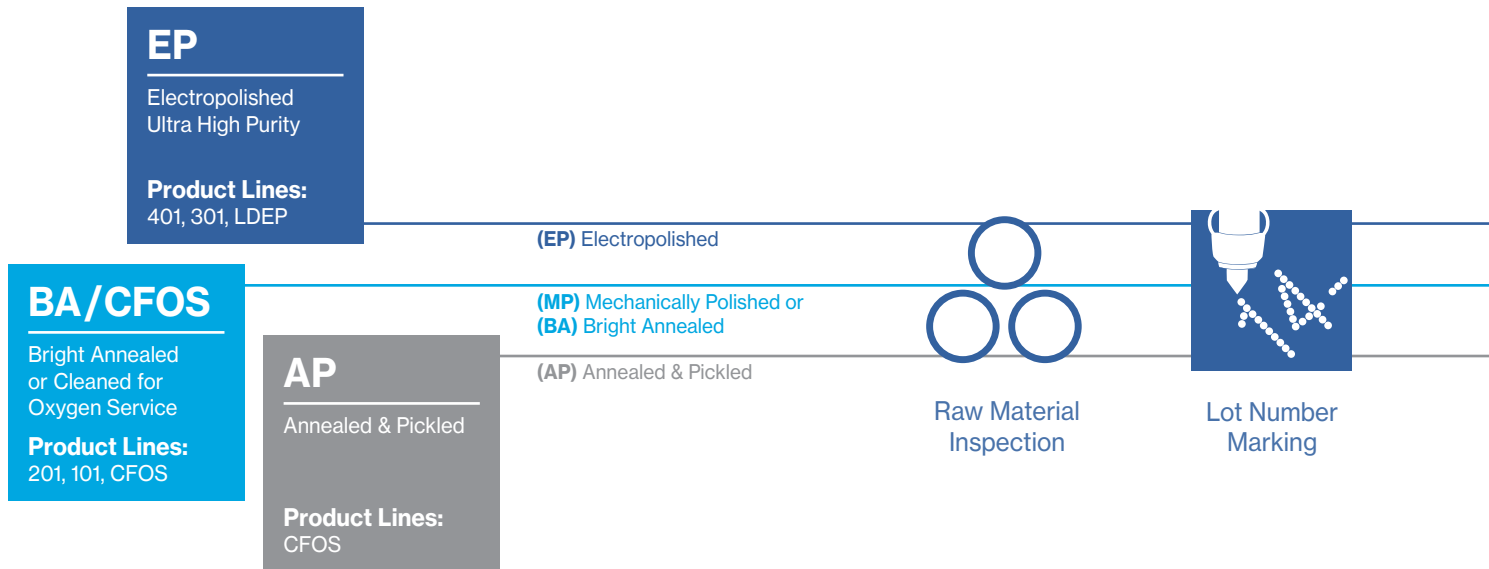


Tube & Pipe Process

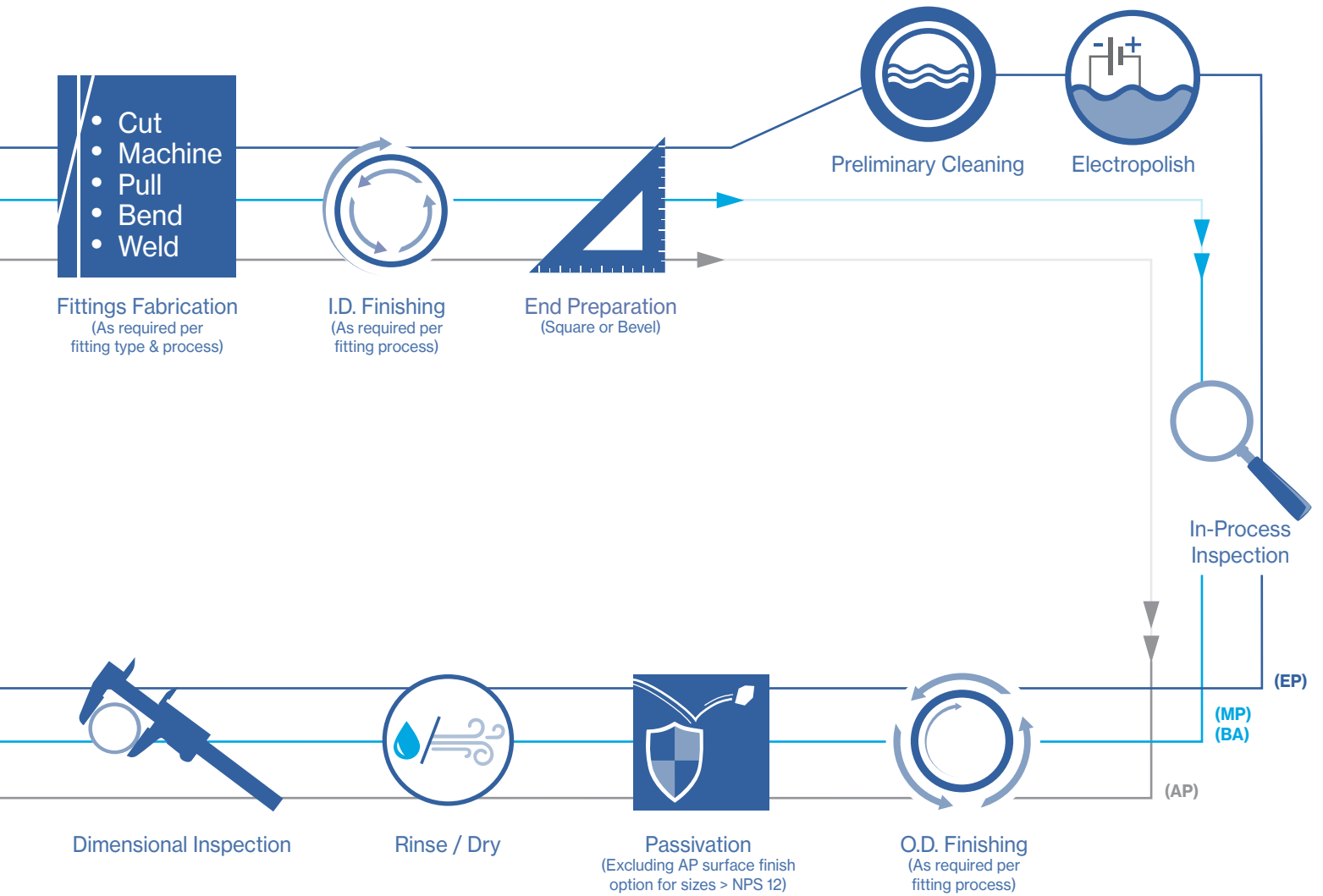




Fittings Process

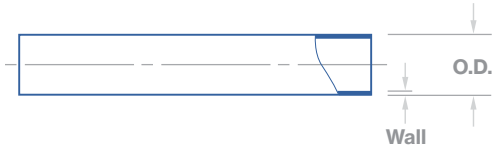


Valex Inventory



Tube & Pipe





Tube

ASTM A269 / A632

Product Lines					Dimensions in Inches							
401	301	201	101	CFOS	Size	O.D.	Wall	Weight per foot (lbs.)	Maximum Safe Working Pressure*			
									PSI Seamless	PSI Welded	Bar Seamless	Bar Welded
●	●	●	●		1/8"	.125	.028	.03	7,805	N/A	538	N/A
●	●	●	●	●	1/4"	.250	.035	.08	4,598	N/A	317	N/A
●	●	●	●	●	1/4"	.250	.039	.09	5,189	N/A	358	N/A
●	●	●	●	●	3/8"	.375	.035	.13	2,974	N/A	205	N/A
●	●	●	●	●	3/8"	.375	.039	.14	3,341	N/A	230	N/A
●	●	✓	✓	●	1/2"	.500	.049	.24	3,136	2,509	216	173
●	●	✓	●	●	3/4"	.750	.065	.48	2,759	2,207	190	152
●	●	✓	●	●	1"	1.000	.065	.65	2,039	1,631	141	113
●	●	✓	●	●	1-1/2"	1.500	.065	1.00	1,340	1,072	92	74
●	●	✓	●	●	2"	2.000	.065	1.35	995	796	69	55
●	●	●	●	●	2-1/2"	2.500	.065	1.70	793	635	55	44
●	●	●	●	●	3"	3.000	.065	2.05	659	528	45	36
●	●	●	●	●	4"	4.000	.083	3.49	631	505	44	35
●	●	●	●	●	6"	6.000	.109	6.90	551	440	38	30

* Gauge pressure is listed.

Notes:

- Maximum safe working pressure is calculated per ASME B 31.3-2014, paragraph 304.1.2 (formula 3a). Calculations assume maximum allowable O.D. and minimum allowable wall thickness (worst case scenario).
- Material: TP 304L or TP 316L per ASTM A269 and A632.
- Temperature range used for above calculations is -20°F to 300°F, -28.8°C to 148.9°C. For recommended working pressures higher than 300°F, please consult factory.

Tube

UNS N06022 Alloy²

Product Line		Dimensions in Inches							
444	222	Size	O.D.	Wall	Weight per foot (lbs.)	Maximum Safe Working Pressure*			
						PSI Seamless	PSI Welded	Bar Seamless	Bar Welded
●	●	1/4"	.250	.035	.08	7,972	N/A	550	N/A
●	●	3/8"	.375	.035	.13	5,169	N/A	356	N/A
●	●	1/2"	.500	.049	.24	5,465	N/A	377	N/A
●	●	3/4"	.750	.065	.48	4,810	N/A	332	N/A

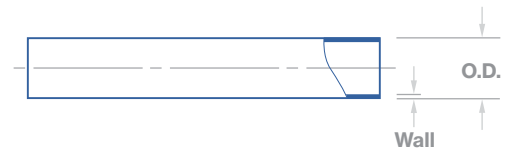
* Gauge pressure is listed.

Notes:

- Maximum safe working pressure is calculated per ASME B 31.3-2014, paragraph 304.1.2 (formula 3a). Calculations assume maximum allowable O.D. and minimum allowable wall thickness (worst case scenario).
- Material: Haynes Hastelloy® C-22® is available upon request. Hastelloy and C-22 are registered trademarks of Haynes International Inc.
- Temperature range used for above calculations is -20°F to 300°F, -28.8°C to 148.9°C. For recommended working pressures higher than 300°F, please consult factory.

Pipe

ASTM A312, Schedule 10S



Product Lines		Dimensions in Inches								
LDEP	CFOS	Size	Sch.	O.D.	Wall	Weight per foot (lb.)	Maximum Safe Working Pressure*			
							PSI Seamless	PSI Welded	Bar Seamless	Bar Welded
●	●	NPS 2	10S	2.375	.109	2.66	1,367	1,094	94	75
●	●	NPS 2-1/2	10S	2.875	.120	3.56	1,243	994	86	69
●	●	NPS 3	10S	3.500	.120	4.36	1,017	814	70	56
●	●	NPS 3-1/2	10S	4.000	.120	5.01	888	711	61	49
●	●	NPS 4	10S	4.500	.120	5.66	789	631	54	44
●	●	NPS 5	10S	5.563	.134	7.83	708	566	49	39
●	●	NPS 6	10S	6.625	.134	9.36	594	475	41	33
●	●	NPS 8	10S	8.625	.148	13.50	504	403	35	28
●	●	NPS 10	10S	10.750	.165	18.79	449	360	31	25
●	●	NPS 12	10S	12.750	.180	24.34	414	331	29	23
●	●	NPS 14	10S	14.000	.188	27.94	394	315	27	22
●	●	NPS 16	10S	16.000	.188	31.98	344	275	24	19
●	●	NPS 18	10S	18.000	.188	36.03	306	245	21	17
●	●	NPS 20	10S	20.000	.218	46.40	N/A	255	N/A	18
●	●	NPS 22	10S	22.000	.218	51.09	N/A	232	N/A	16
●	●	NPS 24	10S	24.000	.250	63.88	N/A	244	N/A	17
●	●	NPS 30	10S	30.000	.312	99.66	N/A	244	N/A	17

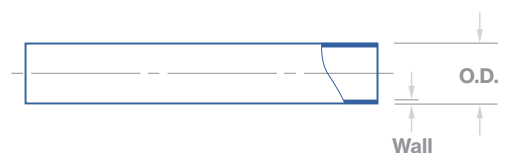
* Gauge pressure is listed.

Notes:

- Maximum safe working pressure is calculated, per ASME B31.3-2014, paragraph 304.1.2. Calculations assume maximum allowable O.D. and minimum allowable wall thickness (worst case scenario).
- Material: TP304, TP 304L or TP 316L per ASTM A312
- Temperature range used for above calculations is -20°F to 300°F, -28.8°C to 148.9°C. For recommended working pressures higher than 300°F, please consult factory.

Pipe

ASTM A312, Schedule 40S

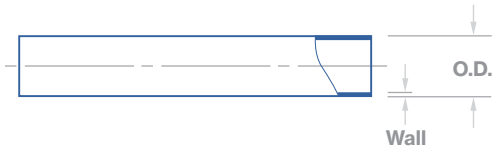


Product Lines		Dimensions in Inches						
LDEP	CFOS	Size	Sch.	O.D.	Wall	Weight per foot (lb.)	Maximum Safe Working Pressure*	
							PSI Welded	Bar Welded
●	●	NPS 12	40S	12.750	.375	49.93	697	48
●	●	NPS 14	40S	14.000	.375	54.97	634	44
●	●	NPS 16	40S	16.000	.375	63.04	554	38
●	●	NPS 18	40S	18.000	.375	71.11	492	34
●	●	NPS 20	40S	20.000	.375	79.18	441	30
●	●	NPS 24	40S	24.000	.375	95.32	367	25

* Gauge pressure is listed.

Notes:

- Maximum safe working pressure is calculated, per ASME B31.3-2014, paragraph 304.1.2. Calculations assume maximum allowable O.D. and minimum allowable wall thickness (worst case scenario).
- Material: TP304, TP 304L or TP 316L per ASTM A312
- Temperature range used for above calculations is -20°F to 300°F, -28.8°C to 148.9°C. For recommended working pressures higher than 300°F, please consult factory.



Pipe

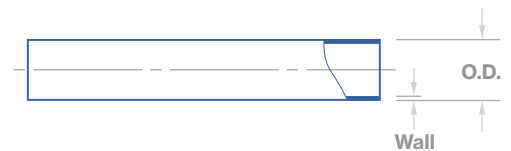
JIS G3459 / G3468, Schedule 5S

Product Lines					Dimensions in Millimeters								
401	LDEP	201	101	CFOS	Size	Sch.	O.D.	Wall	Weight per meter (kg.)	Maximum Safe Working Pressure*			
										PSI Seamless	PSI Welded	Bar Seamless	Bar Welded
•					8A	5S	13.8	1.20	.38	2,511	2,009	173	139
•					10A	5S	17.3	1.20	.48	1,988	1,590	137	110
•		•	•		15A	5S	21.7	1.65	.82	2,324	1,859	160	128
•		•	•		20A	5S	27.2	1.65	1.05	1,839	1,471	127	101
•	•	•	•	•	25A	5S	34.0	1.65	1.32	1,460	1,168	101	81
•	•	•	•	•	32A	5S	42.7	1.65	1.68	1,154	923	80	64
•	•	•	•	•	40A	5S	48.6	1.65	1.92	1,011	808	70	56
•	•	•	•	•	50A	5S	60.5	1.65	2.41	808	646	56	45
•	•	•	•	•	65A	5S	76.3	2.10	3.87	836	668	58	46
•	•	•	•	•	80A	5S	89.1	2.10	4.53	713	571	49	39
•	•	•	•	•	90A	5S	101.6	2.10	5.19	624	499	43	34
•	•	•	•	•	100A	5S	114.3	2.10	5.85	554	443	38	31
•	•	•	•	•	125A	5S	139.8	2.80	9.52	605	484	42	33
•	•	•	•	•	150A	5S	165.2	2.80	11.29	511	408	35	28
•	•	•	•	•	200A	5S	216.3	2.80	14.84	389	311	27	21
•	•	•	•	•	250A	5S	267.4	3.40	22.28	382	306	26	21
•	•	•	•	•	300A	5S	318.5	4.00	31.22	377	302	26	21
	•	•	•	•	350A	5S	355.6	4.00	34.90	N/A	264	N/A	18
	•	•	•	•	400A	5S	406.4	4.50	44.89	N/A	260	N/A	18
	•	•	•	•	450A	5S	457.2	4.50	50.56	N/A	231	N/A	16
	•	•	•	•	500A	5S	508.0	5.00	62.42	N/A	231	N/A	16
	•	•	•	•	550A	5S	558.8	5.00	68.72	N/A	209	N/A	14
	•	•	•	•	600A	5S	609.6	5.50	82.46	N/A	211	N/A	15
				•	650A	5S	660.4	5.50	89.40	N/A	195	N/A	13
				•	700A	5S	711.2	5.50	96.33	N/A	181	N/A	12
				•	750A	5S	762.0	6.50	121.88	N/A	200	N/A	14

* Gauge pressure is listed.

Notes:

- Maximum safe working pressure is calculated, per ASME B31.3-2014, paragraph 304.1.2. Calculations assume maximum allowable O.D. and minimum allowable wall thickness (worst case scenario).
- Material: SUS 304LTP or SUS 316LTP per JIS G3459, and SUS 304 LTPY, SUS 316 LTPY per JIS G3468
- Temperature range used for above calculations is -20°F to 300°F, -28.8°C to 148.9°C. For recommended working pressures higher than 300°F, please consult factory.



Pipe

JIS G3459 / G3468, Schedule 10S

Product Lines					Dimensions in Millimeters								
401	LDEP	201	101	CFOS	Size	Sch.	O.D.	Wall	Weight per meter (kg.)	Maximum Safe Working Pressure*			
										PSI Seamless	PSI Welded	Bar Seamless	Bar Welded
•					8A	10S	13.8	1.65	.50	3,743	2,994	258	206
•					10A	10S	17.3	1.65	.64	2,946	2,357	203	163
•		•	•		15A	10S	21.7	2.10	1.02	3,081	2,465	212	170
•		•	•		20A	10S	27.2	2.10	1.31	2,429	1,943	168	134
•	•	•	•	•	25A	10S	34.0	2.80	2.17	2,604	2,083	180	144
•	•	•	•	•	32A	10S	42.7	2.80	2.77	2,047	1,638	141	113
•	•	•	•	•	40A	10S	48.6	2.80	3.18	1,788	1,431	123	99
•	•	•	•	•	50A	10S	60.5	2.80	4.01	1,424	1,140	98	79
•	•	•	•	•	65A	10S	76.3	3.00	5.46	1,204	963	83	66
•	•	•	•	•	80A	10S	89.1	3.00	6.41	1,027	821	71	57
•	•	•	•	•	90A	10S	101.6	3.00	7.34	898	718	62	50
•	•	•	•	•	100A	10S	114.3	3.00	8.29	796	637	55	44
•	•	•	•	•	125A	10S	139.8	3.40	11.51	737	589	51	41
•	•	•	•	•	150A	10S	165.2	3.40	13.65	622	497	43	34
•	•	•	•	•	200A	10S	216.3	4.00	21.08	558	446	38	31
•	•	•	•	•	250A	10S	267.4	4.00	26.15	450	360	31	25
•	•	•	•	•	300A	10S	318.5	4.50	35.07	425	340	29	23
	•	•	•	•	350A	10S	355.6	5.00	43.51	N/A	330	N/A	23
	•	•	•	•	400A	10S	406.4	5.00	49.81	N/A	289	N/A	20
	•	•	•	•	450A	10S	457.2	5.00	56.11	N/A	256	N/A	18
	•	•	•	•	500A	10S	508.0	5.50	68.59	N/A	254	N/A	18
	•	•	•	•	550A	10S	558.8	5.50	75.53	N/A	231	N/A	16
	•	•	•	•	600A	10S	609.6	6.50	97.29	N/A	250	N/A	17
	•		•	•	650A	10S	660.4	8.00	129.53	N/A	292	N/A	20
	•		•	•	700A	10S	711.2	8.00	139.62	N/A	271	N/A	19
	•		•	•	750A	10S	762.0	8.00	149.71	N/A	253	N/A	17
	•		•	•	800A	10S	812.8	8.00	159.79	N/A	237	N/A	16

* Gauge pressure is listed.

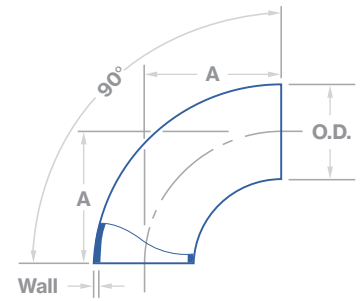
Notes:

1. Maximum safe working pressure is calculated, per ASME B31.3-2014, paragraph 304.1.2. Calculations assume maximum allowable O.D. and minimum allowable wall thickness (worst case scenario).
2. Material: SUS 304LTP or SUS 316LTP per JIS G3459, and SUS 304 LTPY, SUS 316 LTPY per JIS G3468
3. Temperature range used for above calculations is -20°F to 300°F, -28.8°C to 148.9°C. For recommended working pressures higher than 300°F, please consult factory.

Elbows

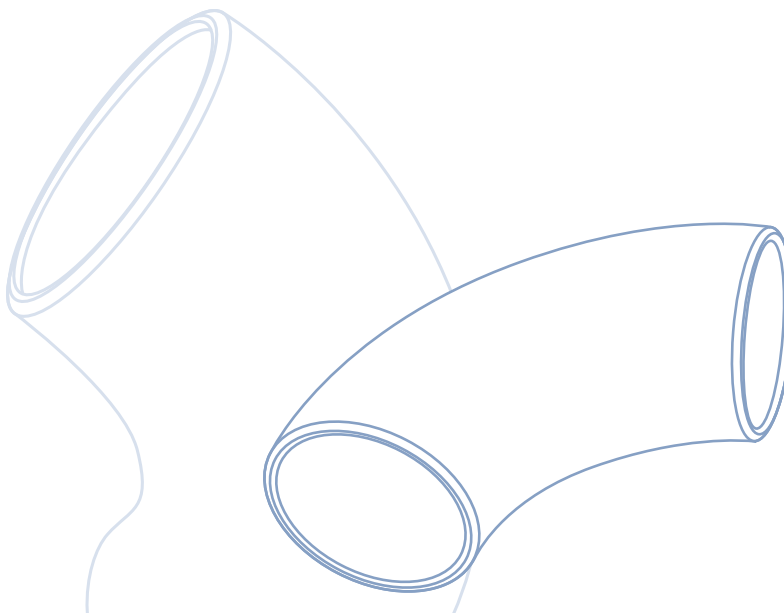
- 90° Elbows
- 45° Elbows





CONFIGURATION
2LS
90° Elbow, Long
JIS B2312 / B2313 Standard, JIS Pipe

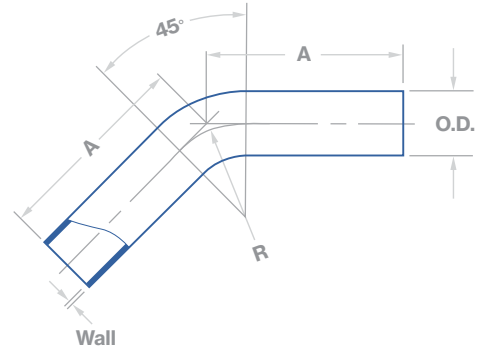
Product Lines					Dimensions in Millimeters				
401	LDEP	201	101	CFOS	Size	O.D.	5S Wall	10S Wall	A
•		•	•	•	15A	21.7	1.65	2.10	38.1
•		•	•	•	20A	27.2	1.65	2.10	38.1
•	•	•	•	•	25A	34.0	1.65	2.80	38.1
•	•	•	•	•	32A	42.7	1.65	2.80	47.6
•	•	•	•	•	40A	48.6	1.65	2.80	57.2
•	•	•	•	•	50A	60.5	1.65	2.80	76.2
•	•	•	•	•	65A	76.3	2.10	3.00	95.3
•	•	•	•	•	80A	89.1	2.10	3.00	114.3
•	•	•	•	•	90A	101.6	2.10	3.00	133.4
•	•	•	•	•	100A	114.3	2.10	3.00	152.4
•	•	•	•	•	125A	139.8	2.80	3.40	190.5
•	•	•	•	•	150A	165.2	2.80	3.40	228.6
•	•	•	•	•	200A	216.3	2.80	4.00	304.8
•	•	•	•	•	250A	267.4	3.40	4.00	381.0
•	•	•	•	•	300A	318.5	4.00	4.50	457.2
	•	•	•	•	350A	355.6	4.00	5.00	533.4
	•	•	•	•	400A	406.4	4.50	5.00	609.6
	•	•	•	•	450A	457.2	4.50	5.00	685.8
	•	•	•	•	500A	508.0	5.00	5.50	762.0
	•	•	•	•	550A	558.8	5.00	5.50	838.2
	•	•	•	•	600A	609.6	5.50	6.50	914.4
	•		•	•	650A	660.4	5.50	8.00	990.6
	•		•	•	700A	711.2	5.50	8.00	1066.8
	•		•	•	750A	762.0	6.50	8.00	1143.0
	•		•	•	800A	812.8	N/A	8.00	1219.2





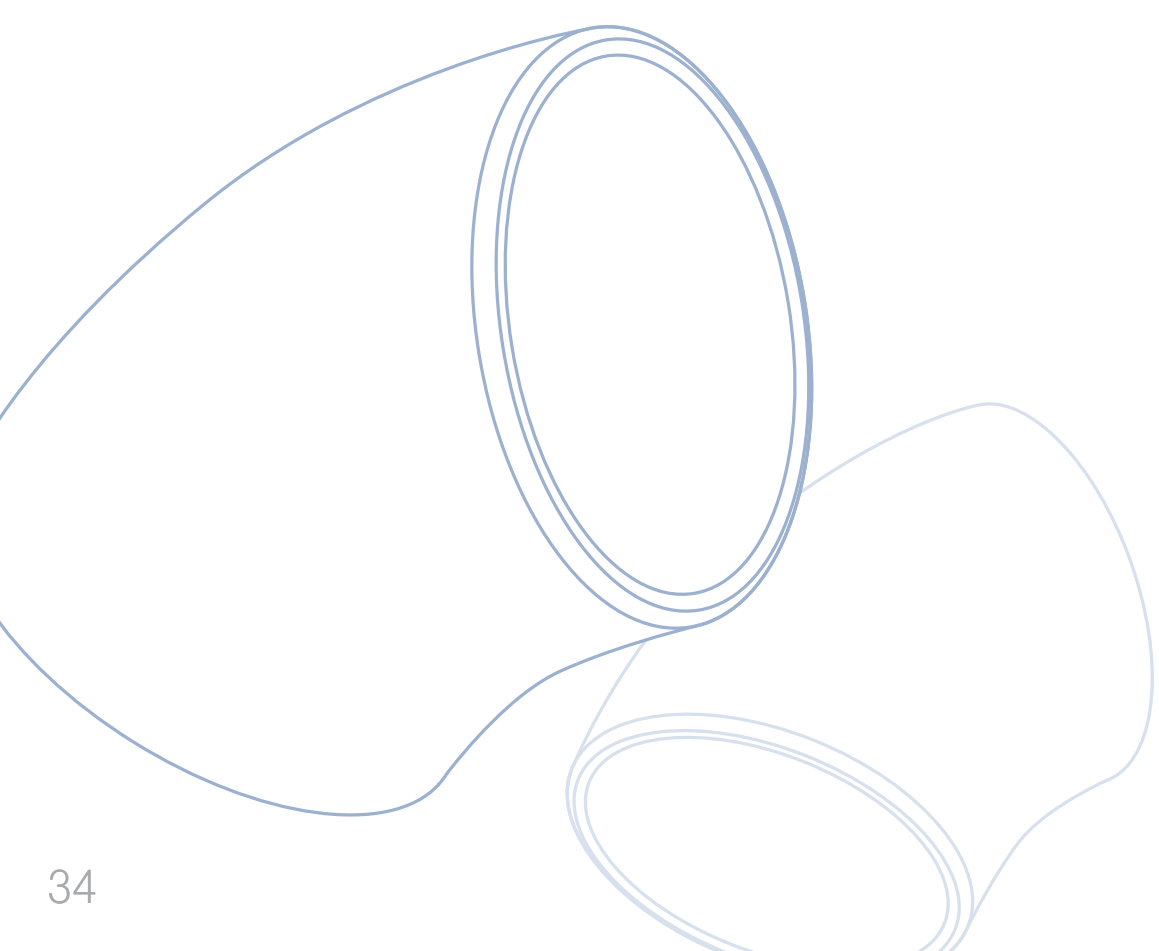
45° Elbow

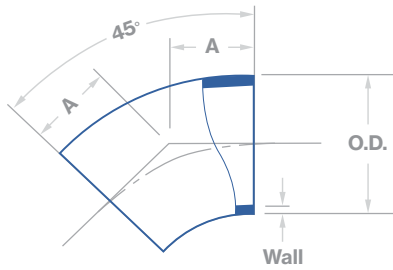
Valex Standard, ASTM Tube



Product Lines		
401	201	222
•	•	•
•	•	•
•	•	•
•	•	
•	•	
•	•	
•	•	
•	•	
•	•	
•	•	
•	•	

Dimensions in Inches				
Size	O.D.	Wall	A	R
1/4"	.250	.035 / .039	1.100	.56
3/8"	.375	.035 / .039	2.000	.56
1/2"	.500	.049	2.500	.75
3/4"	.750	.065	2.500	1.13
1"	1.000	.065	3.125	1.50
1-1/2"	1.500	.065	2.500	2.25
2"	2.000	.065	3.000	3.00
2-1/2"	2.500	.065	3.375	3.75
3"	3.000	.065	3.625	4.50
4"	4.000	.083	4.500	6.00
6"	6.000	.109	8.750	9.00





45° Elbow, Long

ASME B16.9 Standard, ASME Pipe



Product Lines		Dimensions in Inches				
LDEP	CFOS	Size	Sch.	O.D.	Wall	A
	●	NPS 1/2	10S	.84	.083	.62
	●	NPS 3/4	10S	1.05	.083	.75
	●	NPS 1	10S	1.32	.109	.88
	●	NPS 1-1/4	10S	1.66	.109	1.00
	●	NPS 1-1/2	10S	1.90	.109	1.12
●	●	NPS 2	10S	2.38	.109	1.38
●	●	NPS 2-1/2	10S	2.88	.120	1.75
●	●	NPS 3	10S	3.50	.120	2.00
●	●	NPS 3-1/2	10S	4.00	.120	2.25
●	●	NPS 4	10S	4.50	.120	2.50
●	●	NPS 5	10S	5.56	.134	3.12
●	●	NPS 6	10S	6.62	.134	3.75
●	●	NPS 8	10S	8.62	.148	5.00
●	●	NPS 10	10S	10.75	.165	6.25
●	●	NPS 12	10S	12.75	.180	7.50
●	●	NPS 14	10S	14.00	.188	8.75
●	●	NPS 16	10S	16.00	.188	10.00
●	●	NPS 18	10S	18.00	.188	11.25
●	●	NPS 20	10S	20.00	.218	12.50
●	●	NPS 22	10S	22.00	.218	13.50
●	●	NPS 24	10S	24.00	.250	15.00

Tees

- Equal Tees
- Reducing Tees





Reducing Tee

ASME B16.9 Standard, ASME Pipe CONTINUED

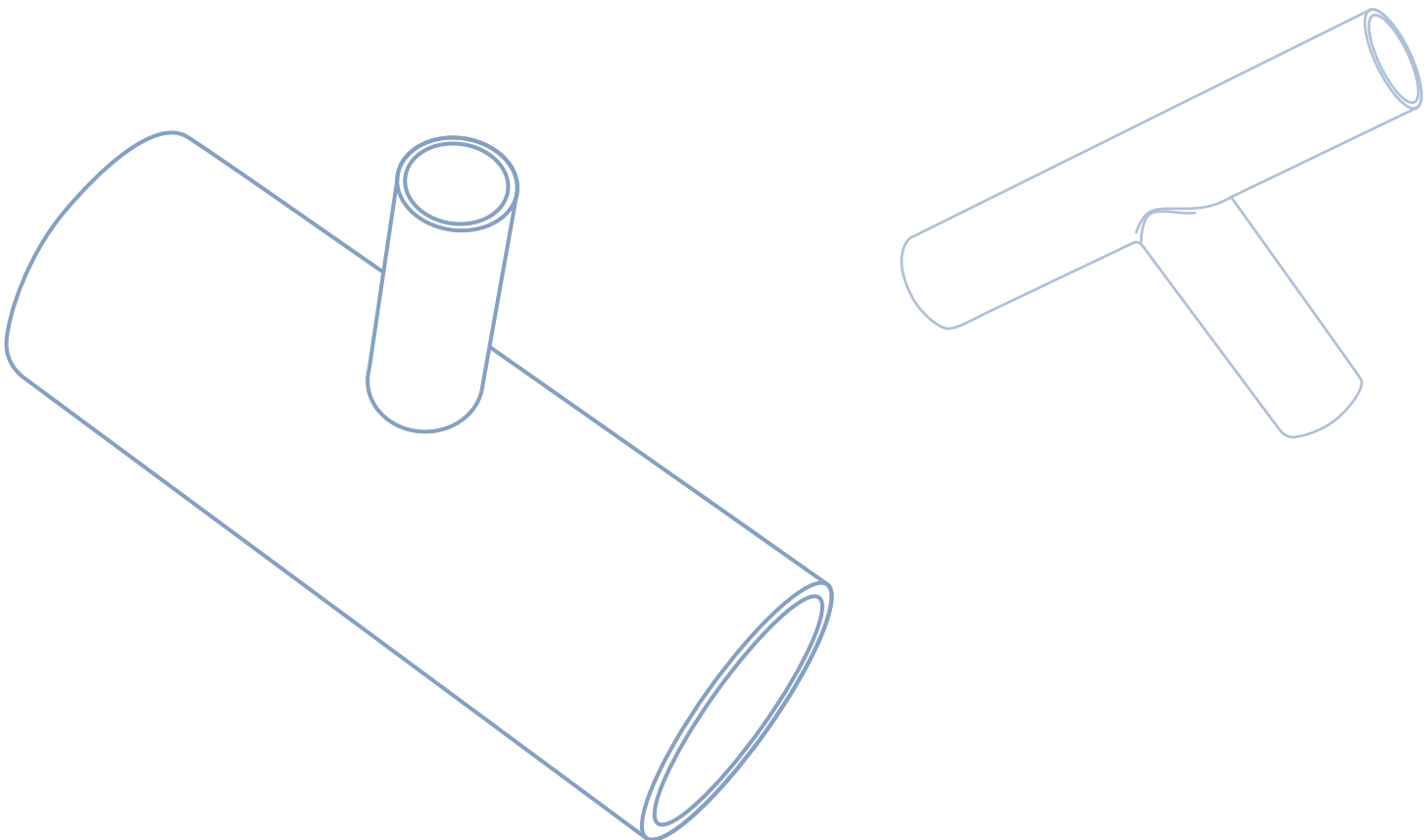
Product Lines		Dimensions in Inches							
LDEP	CFOS	Size	Sch.	O.D. 1	Wall 1	O.D. 2	Wall 2	A	B
•	•	NPS 4 x NPS 1-1/2	10S x 10S	4.50	.120	1.90	.109	4.12	3.38
•	•	NPS 4 x NPS 2	10S x 10S	4.50	.120	2.38	.109	4.12	3.50
•	•	NPS 4 x NPS 2-1/2	10S x 10S	4.50	.120	2.88	.120	4.12	3.75
•	•	NPS 4 x NPS 3	10S x 10S	4.50	.120	3.50	.120	4.12	3.88
•	•	NPS 4 x NPS 3-1/2	10S x 10S	4.50	.120	4.00	.120	4.12	4.00
•	•	NPS 5 x NPS 2	10S x 10S	5.56	.134	2.38	.109	4.88	4.12
•	•	NPS 5 x NPS 2-1/2	10S x 10S	5.56	.134	2.88	.120	4.88	4.25
•	•	NPS 5 x NPS 3	10S x 10S	5.56	.134	3.50	.120	4.88	4.38
•	•	NPS 5 x NPS 3-1/2	10S x 10S	5.56	.134	4.00	.120	4.88	4.50
•	•	NPS 5 x NPS 4	10S x 10S	5.56	.134	4.50	.120	4.88	4.62
•	•	NPS 6 x NPS 2-1/2	10S x 10S	6.62	.134	2.88	.120	5.62	4.75
•	•	NPS 6 x NPS 3	10S x 10S	6.62	.134	3.50	.120	5.62	4.88
•	•	NPS 6 x NPS 3-1/2	10S x 10S	6.62	.134	4.00	.120	5.62	5.00
•	•	NPS 6 x NPS 4	10S x 10S	6.62	.134	4.50	.120	5.62	5.12
•	•	NPS 6 x NPS 5	10S x 10S	6.62	.134	5.56	.134	5.62	5.38
•	•	NPS 8 x NPS 3-1/2	10S x 10S	8.62	.148	4.00	.120	7.00	6.00
•	•	NPS 8 x NPS 4	10S x 10S	8.62	.148	4.50	.120	7.00	6.12
•	•	NPS 8 x NPS 5	10S x 10S	8.62	.148	5.56	.134	7.00	6.38
•	•	NPS 8 x NPS 6	10S x 10S	8.62	.148	6.62	.134	7.00	6.62
•	•	NPS 10 x NPS 4	10S x 10S	10.75	.165	4.50	.120	8.50	7.25
•	•	NPS 10 x NPS 5	10S x 10S	10.75	.165	5.56	.134	8.50	7.50
•	•	NPS 10 x NPS 6	10S x 10S	10.75	.165	6.62	.134	8.50	7.62
•	•	NPS 10 x NPS 8	10S x 10S	10.75	.165	8.62	.148	8.50	8.00
•	•	NPS 12 x NPS 5	10S x 10S	12.75	.180	5.56	.134	10.00	8.50
•	•	NPS 12 x NPS 6	10S x 10S	12.75	.180	6.62	.134	10.00	8.62
•	•	NPS 12 x NPS 8	10S x 10S	12.75	.180	8.62	.148	10.00	9.00
•	•	NPS 12 x NPS 10	10S x 10S	12.75	.180	10.75	.165	10.00	9.50
•	•	NPS 14 x NPS 6	10S x 10S	14.00	.188	6.62	.134	11.00	9.38
•	•	NPS 14 x NPS 8	10S x 10S	14.00	.188	8.62	.148	11.00	9.75
•	•	NPS 14 x NPS 10	10S x 10S	14.00	.188	10.75	.165	11.00	10.12
•	•	NPS 14 x NPS 12	10S x 10S	14.00	.188	12.75	.180	11.00	10.62
•	•	NPS 16 x NPS 6	10S x 10S	16.00	.188	6.62	.134	12.00	10.38
•	•	NPS 16 x NPS 8	10S x 10S	16.00	.188	8.62	.148	12.00	10.75
•	•	NPS 16 x NPS 10	10S x 10S	16.00	.188	10.75	.165	12.00	11.12
•	•	NPS 16 x NPS 12	10S x 10S	16.00	.188	12.75	.180	12.00	11.62
•	•	NPS 16 x NPS 14	10S x 10S	16.00	.188	14.00	.188	12.00	12.00
•	•	NPS 18 x NPS 8	10S x 10S	18.00	.188	8.62	.148	13.50	11.75
•	•	NPS 18 x NPS 10	10S x 10S	18.00	.188	10.75	.165	13.50	12.12
•	•	NPS 18 x NPS 12	10S x 10S	18.00	.188	12.75	.180	13.50	12.62
•	•	NPS 18 x NPS 14	10S x 10S	18.00	.188	14.00	.188	13.50	13.00
•	•	NPS 18 x NPS 16	10S x 10S	18.00	.188	16.00	.188	13.50	13.00
•	•	NPS 20 x NPS 8	10S x 10S	20.00	.218	8.62	.148	15.00	12.75
•	•	NPS 20 x NPS 10	10S x 10S	20.00	.218	10.75	.165	15.00	13.12
•	•	NPS 20 x NPS 12	10S x 10S	20.00	.218	12.75	.180	15.00	13.62
•	•	NPS 20 x NPS 14	10S x 10S	20.00	.218	14.00	.188	15.00	14.00
•	•	NPS 20 x NPS 16	10S x 10S	20.00	.218	16.00	.188	15.00	14.00
•	•	NPS 20 x NPS 18	10S x 10S	20.00	.218	18.00	.188	15.00	14.50

Reducing Tee

ASME B16.9 Standard, ASME Pipe CONTINUED



Product Lines		Dimensions in Inches							
LDEP	CFOS	Size	Sch.	O.D. 1	Wall 1	O.D. 2	Wall 2	A	B
•	•	NPS 22 x NPS 10	10S x 10S	22.00	.218	10.75	.165	16.50	14.12
•	•	NPS 22 x NPS 12	10S x 10S	22.00	.218	12.75	.180	16.50	14.62
•	•	NPS 22 x NPS 14	10S x 10S	22.00	.218	14.00	.188	16.50	15.00
•	•	NPS 22 x NPS 16	10S x 10S	22.00	.218	16.00	.188	16.50	15.00
•	•	NPS 22 x NPS 18	10S x 10S	22.00	.218	18.00	.188	16.50	15.50
•	•	NPS 22 x NPS 20	10S x 10S	22.00	.218	20.00	.218	16.50	16.00
•	•	NPS 24 x NPS 10	10S x 10S	24.00	.250	10.75	.165	17.00	15.12
•	•	NPS 24 x NPS 12	10S x 10S	24.00	.250	12.75	.180	17.00	15.62
•	•	NPS 24 x NPS 14	10S x 10S	24.00	.250	14.00	.188	17.00	16.00
•	•	NPS 24 x NPS 16	10S x 10S	24.00	.250	16.00	.188	17.00	16.00
•	•	NPS24 x NPS 18	10S x 10S	24.00	.250	18.00	.188	17.00	16.50
•	•	NPS 24 x NPS 20	10S x 10S	24.00	.250	20.00	.218	17.00	17.00
•	•	NPS 24 x NPS 22	10S x 10S	24.00	.250	22.00	.218	17.00	17.00



CONFIGURATION
7R

Reducing Tee

Valex Standard, JIS Pipe CONTINUED

Product Lines					Dimensions in Millimeters								
401	LDEP	201	101	CFOS	Size	O.D. 1	5S Wall 1	10S Wall 1	O.D. 2	5S Wall 2	10S Wall 2	A	B
	•	•	•	•	500A x 250A	508.0	5.00	5.50	267.4	3.40	4.00	280	360
	•	•	•	•	500A x 300A	508.0	5.00	5.50	318.5	4.00	4.50	280	360
	•	•	•	•	500A x 350A	508.0	5.00	5.50	355.6	4.00	5.00	380	380
	•	•	•	•	500A x 400A	508.0	5.00	5.50	406.4	4.50	5.00	380	380
	•	•	•	•	500A x 450A	508.0	5.00	5.50	457.2	4.50	5.00	380	380
		•	•	•	550A x 15A	558.8	5.00	5.50	21.7	1.65	2.10	180	350
		•	•	•	550A x 20A	558.8	5.00	5.50	27.2	1.65	2.10	180	350
	•	•	•	•	550A x 25A	558.8	5.00	5.50	34.0	1.65	2.80	180	350
	•	•	•	•	550A x 32A	558.8	5.00	5.50	42.7	1.65	2.80	200	380
	•	•	•	•	550A x 40A	558.8	5.00	5.50	48.6	1.65	2.80	200	380
	•	•	•	•	550A x 50A	558.8	5.00	5.50	60.5	1.65	2.80	200	380
	•	•	•	•	550A x 65A	558.8	5.00	5.50	76.3	2.10	3.00	230	380
	•	•	•	•	550A x 80A	558.8	5.00	5.50	89.1	2.10	3.00	230	380
	•	•	•	•	550A x 100A	558.8	5.00	5.50	114.3	2.10	3.00	230	380
	•	•	•	•	550A x 125A	558.8	5.00	5.50	139.8	2.80	3.40	280	400
	•	•	•	•	550A x 150A	558.8	5.00	5.50	165.2	2.80	3.40	280	400
	•	•	•	•	550A x 200A	558.8	5.00	5.50	216.3	2.80	4.00	280	400
	•	•	•	•	550A x 250A	558.8	5.00	5.50	267.4	3.40	4.00	280	400
	•	•	•	•	550A x 300A	558.8	5.00	5.50	318.5	4.00	4.50	280	400
	•	•	•	•	550A x 350A	558.8	5.00	5.50	355.6	4.00	5.00	420	420
	•	•	•	•	550A x 400A	558.8	5.00	5.50	406.4	4.50	5.00	420	420
	•	•	•	•	550A x 450A	558.8	5.00	5.50	457.2	4.50	5.00	420	420
	•	•	•	•	550A x 500A	558.8	5.00	5.50	508.0	5.00	5.50	420	420
		•	•	•	600A x 15A	609.6	5.50	6.50	21.7	1.65	2.10	180	375
		•	•	•	600A x 20A	609.6	5.50	6.50	27.2	1.65	2.10	180	375
	•	•	•	•	600A x 25A	609.6	5.50	6.50	34.0	1.65	2.80	180	375
	•	•	•	•	600A x 32A	609.6	5.50	6.50	42.7	1.65	2.80	200	390
	•	•	•	•	600A x 40A	609.6	5.50	6.50	48.6	1.65	2.80	200	390
	•	•	•	•	600A x 50A	609.6	5.50	6.50	60.5	1.65	2.80	200	390
	•	•	•	•	600A x 65A	609.6	5.50	6.50	76.3	2.10	3.00	230	390
	•	•	•	•	600A x 80A	609.6	5.50	6.50	89.1	2.10	3.00	230	390
	•	•	•	•	600A x 100A	609.6	5.50	6.50	114.3	2.10	3.00	230	390
	•	•	•	•	600A x 125A	609.6	5.50	6.50	139.8	2.80	3.40	280	410
	•	•	•	•	600A x 150A	609.6	5.50	6.50	165.2	2.80	3.40	280	410
	•	•	•	•	600A x 200A	609.6	5.50	6.50	216.3	2.80	4.00	280	410
	•	•	•	•	600A x 250A	609.6	5.50	6.50	267.4	3.40	4.00	280	410
	•	•	•	•	600A x 300A	609.6	5.50	6.50	318.5	4.00	4.50	280	410
	•	•	•	•	600A x 350A	609.6	5.50	6.50	355.6	4.00	5.00	430	430
	•	•	•	•	600A x 400A	609.6	5.50	6.50	406.4	4.50	5.00	430	430
	•	•	•	•	600A x 450A	609.6	5.50	6.50	457.2	4.50	5.00	430	430
	•	•	•	•	600A x 500A	609.6	5.50	6.50	508.0	5.00	5.50	430	430
	•	•	•	•	600A x 550A	609.6	5.50	6.50	558.8	5.00	5.50	430	430

CONFIGURATION
7RS

Reducing Tee

JIS B2312 / B2313 Standard, JIS Pipe CONTINUED

Product Lines					Dimensions in Millimeters									
401	LDEP	201	101	CFOS	Size	O.D. 1	5S Wall 1	10S Wall1	O.D. 2	5S Wall 2	10S Wall 2	A	B	
•	•	•	•	•	200A x 90A	216.3	2.80	4.00	101.6	2.10	3.00	177.8	152.4	
•	•	•	•	•	200A x 100A	216.3	2.80	4.00	114.3	2.10	3.00	177.8	155.6	
•	•	•	•	•	200A x 125A	216.3	2.80	4.00	139.8	2.80	3.40	177.8	161.9	
•	•	•	•	•	200A x 150A	216.3	2.80	4.00	165.2	2.80	3.40	177.8	168.3	
•	•	•	•	•	250A x 100A	267.4	3.40	4.00	114.3	2.10	3.00	215.9	184.2	
•	•	•	•	•	250A x 125A	267.4	3.40	4.00	139.8	2.80	3.40	215.9	190.5	
•	•	•	•	•	250A x 150A	267.4	3.40	4.00	165.2	2.80	3.40	215.9	193.7	
•	•	•	•	•	250A x 200A	267.4	3.40	4.00	216.3	2.80	4.00	215.9	203.2	
•	•	•	•	•	300A x 125A	318.5	4.00	4.50	139.8	2.80	3.40	254.0	215.9	
•	•	•	•	•	300A x 150A	318.5	4.00	4.50	165.2	2.80	3.40	254.0	219.1	
•	•	•	•	•	300A x 200A	318.5	4.00	4.50	216.3	2.80	4.00	254.0	228.6	
•	•	•	•	•	300A x 250A	318.5	4.00	4.50	267.4	3.40	4.00	254.0	241.3	
	•	•	•	•	350A x 150A	355.6	4.00	5.00	165.2	2.80	3.40	279.4	238.1	
	•	•	•	•	350A x 200A	355.6	4.00	5.00	216.3	2.80	4.00	279.4	247.7	
	•	•	•	•	350A x 250A	355.6	4.00	5.00	267.4	3.40	4.00	279.4	257.2	
	•	•	•	•	350A x 300A	355.6	4.00	5.00	318.5	4.00	4.50	279.4	269.9	
	•	•	•	•	400A x 150A	406.4	4.50	5.00	165.2	2.80	3.40	304.8	263.5	
	•	•	•	•	400A x 200A	406.4	4.50	5.00	216.3	2.80	4.00	304.8	273.1	
	•	•	•	•	400A x 250A	406.4	4.50	5.00	267.4	3.40	4.00	304.8	282.6	
	•	•	•	•	400A x 300A	406.4	4.50	5.00	318.5	4.00	4.50	304.8	295.3	
	•	•	•	•	400A x 350A	406.4	4.50	5.00	355.6	4.00	5.00	304.8	304.8	
	•	•	•	•	450A x 200A	457.2	4.50	5.00	216.3	2.80	4.00	342.9	298.5	
	•	•	•	•	450A x 250A	457.2	4.50	5.00	267.4	3.40	4.00	342.9	308.0	
	•	•	•	•	450A x 300A	457.2	4.50	5.00	318.5	4.00	4.50	342.9	320.7	
	•	•	•	•	450A x 350A	457.2	4.50	5.00	355.6	4.00	5.00	342.9	330.2	
	•	•	•	•	450A x 400A	457.2	4.50	5.00	406.4	4.50	5.00	342.9	330.2	
	•	•	•	•	500A x 200A	508.0	5.00	5.50	216.3	2.80	4.00	381.0	323.9	
	•	•	•	•	500A x 250A	508.0	5.00	5.50	267.4	3.40	4.00	381.0	333.4	
	•	•	•	•	500A x 300A	508.0	5.00	5.50	318.5	4.00	4.50	381.0	346.1	
	•	•	•	•	500A x 350A	508.0	5.00	5.50	355.6	4.00	5.00	381.0	355.6	
	•	•	•	•	500A x 400A	508.0	5.00	5.50	406.4	4.50	5.00	381.0	355.6	
	•	•	•	•	500A x 450A	508.0	5.00	5.50	457.2	4.50	5.00	381.0	368.3	
	•	•	•	•	550A x 400A	558.8	5.00	5.50	406.4	4.50	5.00	419.1	381.0	
	•	•	•	•	550A x 450A	558.8	5.00	5.50	457.2	4.50	5.00	419.1	393.7	
	•	•	•	•	550A x 500A	558.8	5.00	5.50	508.0	5.00	5.50	419.1	406.4	
	•	•	•	•	600A x 450A	609.6	5.50	6.50	457.2	4.50	5.00	431.8	419.1	
	•	•	•	•	600A x 500A	609.6	5.50	6.50	508.0	5.00	5.50	431.8	431.8	
	•	•	•	•	600A x 550A	609.6	5.50	6.50	558.8	5.00	5.50	431.8	431.8	

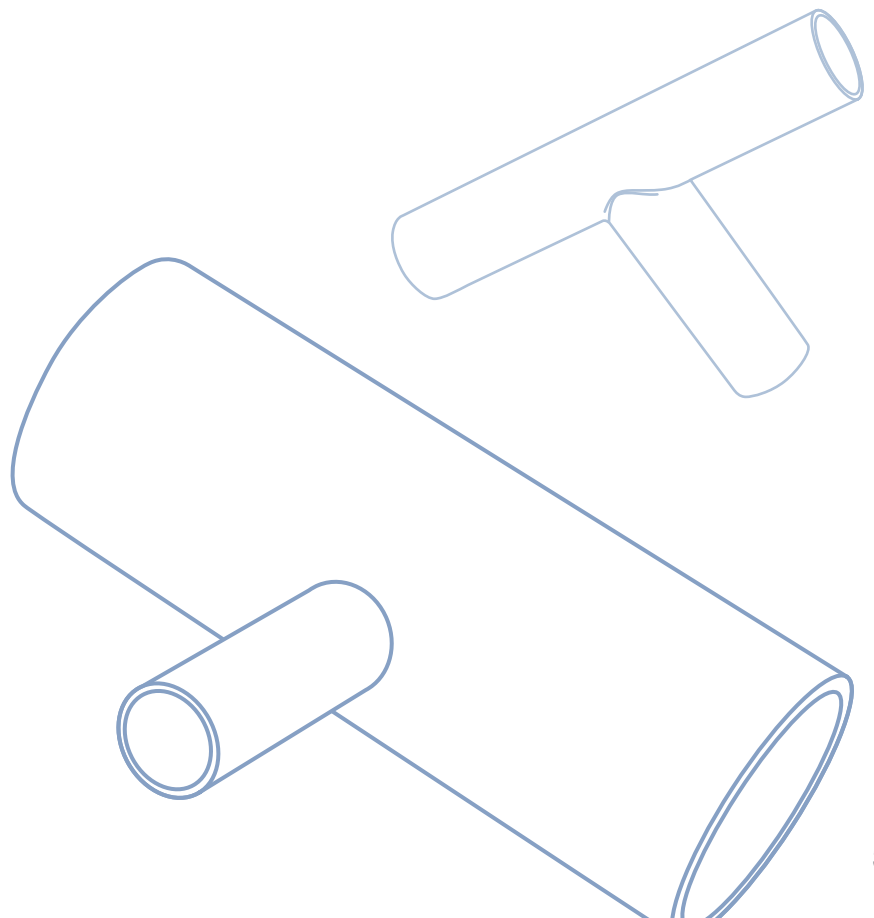
Reducing Tee

JIS B2312 / B2313 Standard, JIS Pipe CONTINUED

CONFIGURATION
7RS

Product Lines				
401	LDEP	201	101	CFOS
	●		●	●
	●		●	●
	●		●	●
	●		●	●
	●		●	●
	●		●	●
	●		●	●
	●		●	●
	●		●	●
	●		●	●
	●		●	●
	●		●	●
	●		●	●
	●		●	●
	●		●	●

Dimensions in Millimeters								
Size	O.D. 1	5S Wall 1	10S Wall1	O.D. 2	5S Wall 2	10S Wall 2	A	B
650A x 500A	660.4	5.50	8.00	508.0	5.00	5.50	495.3	457.2
650A x 550A	660.4	5.50	8.00	558.8	5.00	5.50	495.3	469.9
650A x 600A	660.4	5.50	8.00	609.6	5.50	6.50	495.3	482.6
700A x 550A	711.2	5.50	8.00	558.8	5.00	5.50	520.7	495.3
700A x 600A	711.2	5.50	8.00	609.6	5.50	6.50	520.7	508.0
700A x 650A	711.2	5.50	8.00	660.4	5.50	8.00	520.7	520.7
750A x 600A	762.0	6.50	8.00	609.6	5.50	6.50	558.8	533.4
750A x 650A	762.0	6.50	8.00	660.4	5.50	8.00	558.8	546.1
750A x 700A	762.0	6.50	8.00	711.2	5.50	8.00	558.8	546.1
800A x 650A	812.8	N/A	8.00	660.4	5.50	8.00	596.9	571.5
800A x 700A	812.8	N/A	8.00	711.2	5.50	8.00	596.9	571.5
800A x 750A	812.8	N/A	8.00	762.0	6.50	8.00	596.9	584.2



Crosses

- Equal Crosses



Reducers

- Concentric Reducers
- Cap Reducers



CONFIGURATION
31

Concentric Reducer

ASME B16.9 Standard, ASME Pipe CONTINUED

Product Lines		Dimensions in Inches						
LDEP	CFOS	Size	Sch.	O.D. 1	Wall 1	O.D. 2	Wall 2	A
●	●	NPS 8 x NPS 3-1/2	10S x 10S	8.62	.148	4.00	.120	6.00
●	●	NPS 8 x NPS 4	10S x 10S	8.62	.148	4.50	.120	6.00
●	●	NPS 8 x NPS 5	10S x 10S	8.62	.148	5.56	.134	6.00
●	●	NPS 8 x NPS 6	10S x 10S	8.62	.148	6.62	.134	6.00
●	●	NPS 10 x NPS 4	10S x 10S	10.75	.165	4.50	.120	7.00
●	●	NPS 10 x NPS 5	10S x 10S	10.75	.165	5.56	.134	7.00
●	●	NPS 10 x NPS 6	10S x 10S	10.75	.165	6.62	.134	7.00
●	●	NPS 10 x NPS 8	10S x 10S	10.75	.165	8.62	.148	7.00
●	●	NPS 12 x NPS 5	10S x 10S	12.75	.180	5.56	.134	8.00
●	●	NPS 12 x NPS 6	10S x 10S	12.75	.180	6.62	.134	8.00
●	●	NPS 12 x NPS 8	10S x 10S	12.75	.180	8.62	.148	8.00
●	●	NPS 12 x NPS 10	10S x 10S	12.75	.180	10.75	.165	8.00
●	●	NPS 14 x NPS 6	10S x 10S	14.00	.188	6.62	.134	13.00
●	●	NPS 14 x NPS 8	10S x 10S	14.00	.188	8.62	.148	13.00
●	●	NPS 14 x NPS 10	10S x 10S	14.00	.188	10.75	.165	13.00
●	●	NPS 14 x NPS 12	10S x 10S	14.00	.188	12.75	.180	13.00
●	●	NPS 16 x NPS 8	10S x 10S	16.00	.188	8.62	.148	14.00
●	●	NPS 16 x NPS 10	10S x 10S	16.00	.188	10.75	.165	14.00
●	●	NPS 16 x NPS 12	10S x 10S	16.00	.188	12.75	.180	14.00
●	●	NPS 16 x NPS 14	10S x 10S	16.00	.188	14.00	.188	14.00
●	●	NPS 18 x NPS 10	10S x 10S	18.00	.188	10.75	.165	15.00
●	●	NPS 18 x NPS 12	10S x 10S	18.00	.188	12.75	.180	15.00
●	●	NPS 18 x NPS 14	10S x 10S	18.00	.188	14.00	.188	15.00
●	●	NPS 18 x NPS 16	10S x 10S	18.00	.188	16.00	.188	15.00
●	●	NPS 20 x NPS 12	10S x 10S	20.00	.218	12.75	.180	20.00
●	●	NPS 20 x NPS 14	10S x 10S	20.00	.218	14.00	.188	20.00
●	●	NPS 20 x NPS 16	10S x 10S	20.00	.218	16.00	.188	20.00
●	●	NPS 20 x NPS 18	10S x 10S	20.00	.218	18.00	.188	20.00
●	●	NPS 22 x NPS 14	10S x 10S	22.00	.218	14.00	.188	20.00
●	●	NPS 22 x NPS 16	10S x 10S	22.00	.218	16.00	.188	20.00
●	●	NPS 22 x NPS 18	10S x 10S	22.00	.218	18.00	.188	20.00
●	●	NPS 22 x NPS 20	10S x 10S	22.00	.218	20.00	.218	20.00
●	●	NPS 24 x NPS 16	10S x 10S	24.00	.250	16.00	.188	20.00
●	●	NPS 24 x NPS 18	10S x 10S	24.00	.250	18.00	.188	20.00
●	●	NPS 24 x NPS 20	10S x 10S	24.00	.250	20.00	.218	20.00
●	●	NPS 24 x NPS 22	10S x 10S	24.00	.250	22.00	.218	20.00



Concentric Reducer

Valex Standard, JIS Pipe CONTINUED



Product Lines					Dimensions in Millimeters									
401	LDEP	201	101	CFOS	Size	O.D. 1	5S Wall 1	10S Wall 1	O.D. 2	5S Wall 2	10S Wall 2	A	B	C
	•	•	•	•	500A x 200A	508.0	5.00	5.50	216.3	2.80	4.00	630	70	56
	•	•	•	•	500A x 250A	508.0	5.00	5.50	267.4	3.40	4.00	630	70	60
	•	•	•	•	500A x 300A	508.0	5.00	5.50	318.5	4.00	4.50	630	70	60
	•	•	•	•	500A x 350A	508.0	5.00	5.50	355.6	4.00	5.00	630	70	60
	•	•	•	•	500A x 400A	508.0	5.00	5.50	406.4	4.50	5.00	630	70	65
	•	•	•	•	500A x 450A	508.0	5.00	5.50	457.2	4.50	5.00	630	70	65
		•	•	•	550A x 15A	558.8	5.00	5.50	21.7	1.65	2.10	630	70	36
		•	•	•	550A x 20A	558.8	5.00	5.50	27.2	1.65	2.10	630	70	36
	•	•	•	•	550A x 25A	558.8	5.00	5.50	34.0	1.65	2.80	630	70	36
	•	•	•	•	550A x 32A	558.8	5.00	5.50	42.7	1.65	2.80	630	70	46
	•	•	•	•	550A x 40A	558.8	5.00	5.50	48.6	1.65	2.80	630	70	46
	•	•	•	•	550A x 50A	558.8	5.00	5.50	60.5	1.65	2.80	630	70	46
	•	•	•	•	550A x 65A	558.8	5.00	5.50	76.3	2.10	3.00	630	70	51
	•	•	•	•	550A x 80A	558.8	5.00	5.50	89.1	2.10	3.00	630	70	51
	•	•	•	•	550A x 100A	558.8	5.00	5.50	114.3	2.10	3.00	630	70	51
	•	•	•	•	550A x 125A	558.8	5.00	5.50	139.8	2.80	3.40	630	70	56
	•	•	•	•	550A x 150A	558.8	5.00	5.50	165.2	2.80	3.40	630	70	56
	•	•	•	•	550A x 200A	558.8	5.00	5.50	216.3	2.80	4.00	630	70	56
	•	•	•	•	550A x 250A	558.8	5.00	5.50	267.4	3.40	4.00	630	70	60
	•	•	•	•	550A x 300A	558.8	5.00	5.50	318.5	4.00	4.50	630	70	60
	•	•	•	•	550A x 350A	558.8	5.00	5.50	355.6	4.00	5.00	630	70	60
	•	•	•	•	550A x 400A	558.8	5.00	5.50	406.4	4.50	5.00	630	70	65
	•	•	•	•	550A x 450A	558.8	5.00	5.50	457.2	4.50	5.00	630	70	65
	•	•	•	•	550A x 500A	558.8	5.00	5.50	508.0	5.00	5.50	630	70	70
		•	•	•	600A x 15A	609.6	5.50	6.50	21.7	1.65	2.10	630	70	36
		•	•	•	600A x 20A	609.6	5.50	6.50	27.2	1.65	2.10	630	70	36
	•	•	•	•	600A x 25A	609.6	5.50	6.50	34.0	1.65	2.80	630	70	36
	•	•	•	•	600A x 32A	609.6	5.50	6.50	42.7	1.65	2.80	630	70	46
	•	•	•	•	600A x 40A	609.6	5.50	6.50	48.6	1.65	2.80	630	70	46
	•	•	•	•	600A x 50A	609.6	5.50	6.50	60.5	1.65	2.80	630	70	46
	•	•	•	•	600A x 65A	609.6	5.50	6.50	76.3	2.10	3.00	630	70	51
	•	•	•	•	600A x 80A	609.6	5.50	6.50	89.1	2.10	3.00	630	70	51
	•	•	•	•	600A x 100A	609.6	5.50	6.50	114.3	2.10	3.00	630	70	51
	•	•	•	•	600A x 125A	609.6	5.50	6.50	139.8	2.80	3.40	630	70	56
	•	•	•	•	600A x 150A	609.6	5.50	6.50	165.2	2.80	3.40	630	70	56
	•	•	•	•	600A x 200A	609.6	5.50	6.50	216.3	2.80	4.00	630	70	56
	•	•	•	•	600A x 250A	609.6	5.50	6.50	267.4	3.40	4.00	630	70	60
	•	•	•	•	600A x 300A	609.6	5.50	6.50	318.5	4.00	4.50	630	70	60
	•	•	•	•	600A x 350A	609.6	5.50	6.50	355.6	4.00	5.00	630	70	60
	•	•	•	•	600A x 400A	609.6	5.50	6.50	406.4	4.50	5.00	630	70	65
	•	•	•	•	600A x 450A	609.6	5.50	6.50	457.2	4.50	5.00	630	70	65
	•	•	•	•	600A x 500A	609.6	5.50	6.50	508.0	5.00	5.50	630	70	70
	•	•	•	•	600A x 550A	609.6	5.50	6.50	558.8	5.00	5.50	630	70	70

Cap Reducer

Valex Standard, JIS Pipe CONTINUED

CONFIGURATION
33

Product Lines

401	LDEP	201	101	CFOS
•				
•				
•		•	•	•
•		•	•	•
•	•	•	•	•
•	•	•	•	•
•	•	•	•	•
•	•	•	•	•
•	•	•	•	•
•	•	•	•	•
•				
•				
•		•	•	•
•		•	•	•
•	•	•	•	•
•	•	•	•	•
•	•	•	•	•
•	•	•	•	•
•	•	•	•	•
•	•	•	•	•
•	•	•	•	•
•	•	•	•	•
•	•	•	•	•
•	•	•	•	•
•	•	•	•	•
•	•	•	•	•
•	•	•	•	•
•	•	•	•	•
•	•	•	•	•
•	•	•	•	•
•	•	•	•	•
•	•	•	•	•
•	•	•	•	•
•	•	•	•	•
•	•	•	•	•
•	•	•	•	•
•	•	•	•	•
•	•	•	•	•
•	•	•	•	•
•	•	•	•	•
•	•	•	•	•
•	•	•	•	•

Dimensions in Millimeters

Size	O.D. 1	5S Wall 1	10S Wall 1	O.D. 2	5S Wall 2	10S Wall 2	A	B
100A x 8A	114.3	2.10	3.00	13.8	1.20	1.65	98	63.5
100A x 10A	114.3	2.10	3.00	17.3	1.20	1.65	105	63.5
100A x 15A	114.3	2.10	3.00	21.7	1.65	2.10	105	63.5
100A x 20A	114.3	2.10	3.00	27.2	1.65	2.10	105	63.5
100A x 25A	114.3	2.10	3.00	34.0	1.65	2.80	105	63.5
100A x 32A	114.3	2.10	3.00	42.7	1.65	2.80	115	63.5
100A x 40A	114.3	2.10	3.00	48.6	1.65	2.80	115	63.5
100A x 50A	114.3	2.10	3.00	60.5	1.65	2.80	115	63.5
100A x 65A	114.3	2.10	3.00	76.3	2.10	3.00	125	63.5
100A x 80A	114.3	2.10	3.00	89.1	2.10	3.00	125	63.5
125A x 8A	139.8	2.80	3.40	13.8	1.20	1.65	120	76.2
125A x 10A	139.8	2.80	3.40	17.3	1.20	1.65	130	76.2
125A x 15A	139.8	2.80	3.40	21.7	1.65	2.10	130	76.2
125A x 20A	139.8	2.80	3.40	27.2	1.65	2.10	130	76.2
125A x 25A	139.8	2.80	3.40	34.0	1.65	2.80	130	76.2
125A x 32A	139.8	2.80	3.40	42.7	1.65	2.80	140	76.2
125A x 40A	139.8	2.80	3.40	48.6	1.65	2.80	140	76.2
125A x 50A	139.8	2.80	3.40	60.5	1.65	2.80	140	76.2
125A x 65A	139.8	2.80	3.40	76.3	2.10	3.00	150	76.2
125A x 80A	139.8	2.80	3.40	89.1	2.10	3.00	150	76.2
125A x 100A	139.8	2.80	3.40	114.3	2.10	3.00	150	76.2
150A x 8A	165.2	2.80	3.40	13.8	1.20	1.65	130	88.9
150A x 10A	165.2	2.80	3.40	17.3	1.20	1.65	140	88.9
150A x 15A	165.2	2.80	3.40	21.7	1.65	2.10	140	88.9
150A x 20A	165.2	2.80	3.40	27.2	1.65	2.10	140	88.9
150A x 25A	165.2	2.80	3.40	34.0	1.65	2.80	140	88.9
150A x 32A	165.2	2.80	3.40	42.7	1.65	2.80	150	88.9
150A x 40A	165.2	2.80	3.40	48.6	1.65	2.80	150	88.9
150A x 50A	165.2	2.80	3.40	60.5	1.65	2.80	150	88.9
150A x 65A	165.2	2.80	3.40	76.3	2.10	3.00	160	88.9
150A x 80A	165.2	2.80	3.40	89.1	2.10	3.00	160	88.9
150A x 100A	165.2	2.80	3.40	114.3	2.10	3.00	160	88.9
150A x 125A	165.2	2.80	3.40	139.8	2.80	3.40	170	88.9
200A x 8A	216.3	2.80	4.00	13.8	1.20	1.65	140	101.6
200A x 10A	216.3	2.80	4.00	17.3	1.20	1.65	150	101.6
200A x 15A	216.3	2.80	4.00	21.7	1.65	2.10	150	101.6
200A x 20A	216.3	2.80	4.00	27.2	1.65	2.10	150	101.6
200A x 25A	216.3	2.80	4.00	34.0	1.65	2.80	150	101.6
200A x 32A	216.3	2.80	4.00	42.7	1.65	2.80	160	101.6
200A x 40A	216.3	2.80	4.00	48.6	1.65	2.80	160	101.6
200A x 50A	216.3	2.80	4.00	60.5	1.65	2.80	160	101.6
200A x 65A	216.3	2.80	4.00	76.3	2.10	3.00	170	101.6
200A x 80A	216.3	2.80	4.00	89.1	2.10	3.00	170	101.6
200A x 100A	216.3	2.80	4.00	114.3	2.10	3.00	170	101.6

Cap Reducer

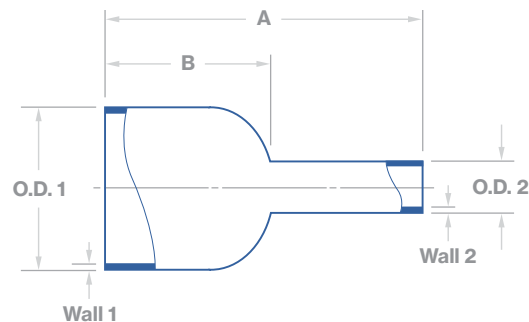
Valex Standard, JIS Pipe CONTINUED



Product Lines					Dimensions in Millimeters								
401	LDEP	201	101	CFOS	Size	O.D. 1	5S Wall 1	10S Wall 1	O.D. 2	5S Wall 2	10S Wall 2	A	B
	●	●	●	●	350A x 300A	355.6	4.00	5.00	318.5	4.00	4.50	231.1	165.1
		●	●	●	400A x 15A	406.4	4.50	5.00	21.7	1.65	2.10	213.8	177.8
		●	●	●	400A x 20A	406.4	4.50	5.00	27.2	1.65	2.10	213.8	177.8
	●	●	●	●	400A x 25A	406.4	4.50	5.00	34.0	1.65	2.80	213.8	177.8
	●	●	●	●	400A x 32A	406.4	4.50	5.00	42.7	1.65	2.80	223.8	177.8
	●	●	●	●	400A x 40A	406.4	4.50	5.00	48.6	1.65	2.80	223.8	177.8
	●	●	●	●	400A x 50A	406.4	4.50	5.00	60.5	1.65	2.80	223.8	177.8
	●	●	●	●	400A x 65A	406.4	4.50	5.00	76.3	2.10	3.00	228.8	177.8
	●	●	●	●	400A x 80A	406.4	4.50	5.00	89.1	2.10	3.00	228.8	177.8
	●	●	●	●	400A x 100A	406.4	4.50	5.00	114.3	2.10	3.00	228.8	177.8
	●	●	●	●	400A x 125A	406.4	4.50	5.00	139.8	2.80	3.40	233.8	177.8
	●	●	●	●	400A x 150A	406.4	4.50	5.00	165.2	2.80	3.40	233.8	177.8
	●	●	●	●	400A x 200A	406.4	4.50	5.00	216.3	2.80	4.00	233.8	177.8
	●	●	●	●	400A x 250A	406.4	4.50	5.00	267.4	3.40	4.00	238.8	177.8
	●	●	●	●	400A x 300A	406.4	4.50	5.00	318.5	4.00	4.50	243.8	177.8
	●	●	●	●	400A x 350A	406.4	4.50	5.00	355.6	4.00	5.00	248.8	177.8
		●	●	●	450A x 15A	457.2	4.50	5.00	21.7	1.65	2.10	239.2	203.2
		●	●	●	450A x 20A	457.2	4.50	5.00	27.2	1.65	2.10	239.2	203.2
	●	●	●	●	450A x 25A	457.2	4.50	5.00	34.0	1.65	2.80	239.2	203.2
	●	●	●	●	450A x 32A	457.2	4.50	5.00	42.7	1.65	2.80	249.2	203.2
	●	●	●	●	450A x 40A	457.2	4.50	5.00	48.6	1.65	2.80	249.2	203.2
	●	●	●	●	450A x 50A	457.2	4.50	5.00	60.5	1.65	2.80	249.2	203.2
	●	●	●	●	450A x 65A	457.2	4.50	5.00	76.3	2.10	3.00	254.2	203.2
	●	●	●	●	450A x 80A	457.2	4.50	5.00	89.1	2.10	3.00	254.2	203.2
	●	●	●	●	450A x 100A	457.2	4.50	5.00	114.3	2.10	3.00	254.2	203.2
	●	●	●	●	450A x 125A	457.2	4.50	5.00	139.8	2.80	3.40	259.2	203.2
	●	●	●	●	450A x 150A	457.2	4.50	5.00	165.2	2.80	3.40	259.2	203.2
	●	●	●	●	450A x 200A	457.2	4.50	5.00	216.3	2.80	4.00	259.2	203.2
	●	●	●	●	450A x 250A	457.2	4.50	5.00	267.4	3.40	4.00	264.2	203.2
	●	●	●	●	450A x 300A	457.2	4.50	5.00	318.5	4.00	4.50	269.2	203.2
	●	●	●	●	450A x 350A	457.2	4.50	5.00	355.6	4.00	5.00	274.2	203.2
	●	●	●	●	450A x 400A	457.2	4.50	5.00	406.4	4.50	5.00	279.2	203.2
		●	●	●	500A x 15A	508.0	5.00	5.50	21.7	1.65	2.10	264.6	228.6
		●	●	●	500A x 20A	508.0	5.00	5.50	27.2	1.65	2.10	264.6	228.6
	●	●	●	●	500A x 25A	508.0	5.00	5.50	34.0	1.65	2.80	264.6	228.6
	●	●	●	●	500A x 32A	508.0	5.00	5.50	42.7	1.65	2.80	274.6	228.6
	●	●	●	●	500A x 40A	508.0	5.00	5.50	48.6	1.65	2.80	274.6	228.6
	●	●	●	●	500A x 50A	508.0	5.00	5.50	60.5	1.65	2.80	274.6	228.6
	●	●	●	●	500A x 65A	508.0	5.00	5.50	76.3	2.10	3.00	279.6	228.6
	●	●	●	●	500A x 80A	508.0	5.00	5.50	89.1	2.10	3.00	279.6	228.6
	●	●	●	●	500A x 100A	508.0	5.00	5.50	114.3	2.10	3.00	279.6	228.6
	●	●	●	●	500A x 125A	508.0	5.00	5.50	139.8	2.80	3.40	284.6	228.6
	●	●	●	●	500A x 150A	508.0	5.00	5.50	165.2	2.80	3.40	284.6	228.6
	●	●	●	●	500A x 200A	508.0	5.00	5.50	216.3	2.80	4.00	284.6	228.6

Cap Reducer

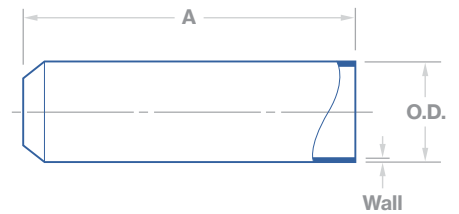
Valex Standard, JIS Pipe CONTINUED



Product Lines					Dimensions in Millimeters								
401	LDEP	201	101	CFOS	Size	O.D. 1	5S Wall 1	10S Wall 1	O.D. 2	5S Wall 2	10S Wall 2	A	B
•	•	•	•	•	500A x 250A	508.0	5.00	5.50	267.4	3.40	4.00	289.6	228.6
•	•	•	•	•	500A x 300A	508.0	5.00	5.50	318.5	4.00	4.50	294.6	228.6
•	•	•	•	•	500A x 350A	508.0	5.00	5.50	355.6	4.00	5.00	299.6	228.6
•	•	•	•	•	500A x 400A	508.0	5.00	5.50	406.4	4.50	5.00	304.6	228.6
•	•	•	•	•	500A x 450A	508.0	5.00	5.50	457.2	4.50	5.00	309.6	228.6
		•	•	•	550A x 15A	558.8	5.00	5.50	21.7	1.65	2.10	290.0	254.0
		•	•	•	550A x 20A	558.8	5.00	5.50	27.2	1.65	2.10	290.0	254.0
•	•	•	•	•	550A x 25A	558.8	5.00	5.50	34.0	1.65	2.80	290.0	254.0
•	•	•	•	•	550A x 32A	558.8	5.00	5.50	42.7	1.65	2.80	300.0	254.0
•	•	•	•	•	550A x 40A	558.8	5.00	5.50	48.6	1.65	2.80	300.0	254.0
•	•	•	•	•	550A x 50A	558.8	5.00	5.50	60.5	1.65	2.80	300.0	254.0
•	•	•	•	•	550A x 65A	558.8	5.00	5.50	76.3	2.10	3.00	305.0	254.0
•	•	•	•	•	550A x 80A	558.8	5.00	5.50	89.1	2.10	3.00	305.0	254.0
•	•	•	•	•	550A x 100A	558.8	5.00	5.50	114.3	2.10	3.00	305.0	254.0
•	•	•	•	•	550A x 125A	558.8	5.00	5.50	139.8	2.80	3.40	310.0	254.0
•	•	•	•	•	550A x 150A	558.8	5.00	5.50	165.2	2.80	3.40	310.0	254.0
•	•	•	•	•	550A x 200A	558.8	5.00	5.50	216.3	2.80	4.00	310.0	254.0
•	•	•	•	•	550A x 250A	558.8	5.00	5.50	267.4	3.40	4.00	314.0	254.0
•	•	•	•	•	550A x 300A	558.8	5.00	5.50	318.5	4.00	4.50	319.0	254.0
•	•	•	•	•	550A x 350A	558.8	5.00	5.50	355.6	4.00	5.00	324.0	254.0
•	•	•	•	•	550A x 400A	558.8	5.00	5.50	406.4	4.50	5.00	329.0	254.0
•	•	•	•	•	550A x 450A	558.8	5.00	5.50	457.2	4.50	5.00	334.0	254.0
•	•	•	•	•	550A x 500A	558.8	5.00	5.50	508.0	5.00	5.50	339.0	254.0
		•	•	•	600A x 15A	609.6	5.50	6.50	21.7	1.65	2.10	302.7	266.7
		•	•	•	600A x 20A	609.6	5.50	6.50	27.2	1.65	2.10	302.7	266.7
•	•	•	•	•	600A x 25A	609.6	5.50	6.50	34.0	1.65	2.80	302.7	266.7
•	•	•	•	•	600A x 32A	609.6	5.50	6.50	42.7	1.65	2.80	312.7	266.7
•	•	•	•	•	600A x 40A	609.6	5.50	6.50	48.6	1.65	2.80	312.7	266.7
•	•	•	•	•	600A x 50A	609.6	5.50	6.50	60.5	1.65	2.80	312.7	266.7
•	•	•	•	•	600A x 65A	609.6	5.50	6.50	76.3	2.10	3.00	317.7	266.7
•	•	•	•	•	600A x 80A	609.6	5.50	6.50	89.1	2.10	3.00	317.7	266.7
•	•	•	•	•	600A x 100A	609.6	5.50	6.50	114.3	2.10	3.00	317.7	266.7
•	•	•	•	•	600A x 125A	609.6	5.50	6.50	139.8	2.80	3.40	322.7	266.7
•	•	•	•	•	600A x 150A	609.6	5.50	6.50	165.2	2.80	3.40	322.7	266.7
•	•	•	•	•	600A x 200A	609.6	5.50	6.50	216.3	2.80	4.00	322.7	266.7
•	•	•	•	•	600A x 250A	609.6	5.50	6.50	267.4	3.40	4.00	327.7	266.7
•	•	•	•	•	600A x 300A	609.6	5.50	6.50	318.5	4.00	4.50	332.7	266.7
•	•	•	•	•	600A x 350A	609.6	5.50	6.50	355.6	4.00	5.00	337.7	266.7
•	•	•	•	•	600A x 400A	609.6	5.50	6.50	406.4	4.50	5.00	342.7	266.7
•	•	•	•	•	600A x 450A	609.6	5.50	6.50	457.2	4.50	5.00	347.7	266.7
•	•	•	•	•	600A x 500A	609.6	5.50	6.50	508.0	5.00	5.50	352.7	266.7
•	•	•	•	•	600A x 550A	609.6	5.50	6.50	558.8	5.00	5.50	357.7	266.7

End Caps





CONFIGURATION
16

End Cap

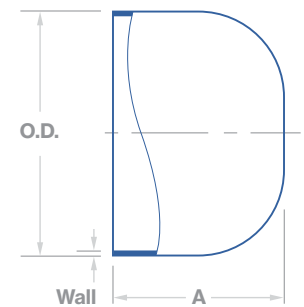
Valex Standard, ASTM Tube

Product Lines			Dimensions in Inches			
401	201	222	Size	O.D.	Wall	A
●	●	●	1/4"	.250	.035 / .039	1.125
●	●	●	3/8"	.375	.035 / .039	1.125
●	●	●	1/2"	.500	.049	1.375
●	●		3/4"	.750	.065	1.75
●	●		1"	1.000	.065	1.75
●	●		1-1/2"	1.500	.065	2.00
●	●		2"	2.000	.065	2.00
●	●		2-1/2"	2.500	.065	2.00
●	●		3"	3.000	.065	2.00
●	●		4"	4.000	.083	2.50
●	●		6"	6.000	.109	4.77

CONFIGURATION
16

End Cap

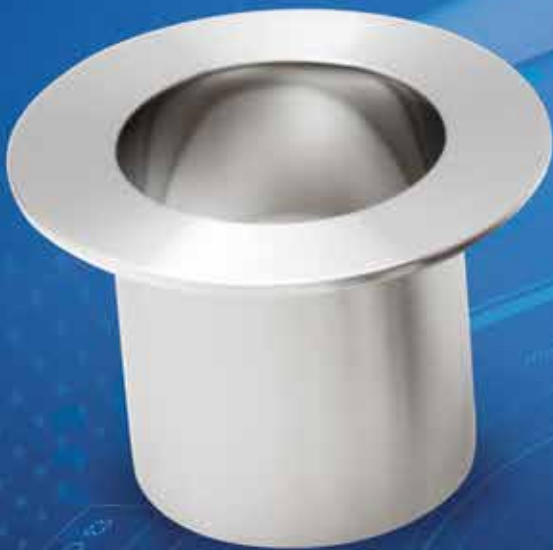
ASME B16.9 Standard, ASME Pipe

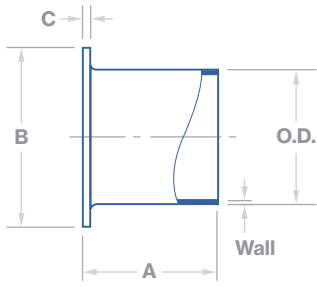


Product Lines		Dimensions in Inches				
LDEP	CFOS	Size	Sch.	O.D.	Wall	A
	●	NPS 1/2	10S	.84	.083	1.00
	●	NPS 3/4	10S	1.05	.083	1.00
	●	NPS 1	10S	1.32	.109	1.50
	●	NPS 1-1/4	10S	1.66	.109	1.50
	●	NPS 1-1/2	10S	1.90	.109	1.50
●	●	NPS 2	10S	2.38	.109	1.50
●	●	NPS 2-1/2	10S	2.88	.120	1.50
●	●	NPS 3	10S	3.50	.120	2.00
●	●	NPS 3-1/2	10S	4.00	.120	2.50
●	●	NPS 4	10S	4.50	.120	2.50
●	●	NPS 5	10S	5.56	.134	3.00
●	●	NPS 6	10S	6.62	.134	3.50
●	●	NPS 8	10S	8.62	.148	4.00
●	●	NPS 10	10S	10.75	.165	5.00
●	●	NPS 12	10S	12.75	.180	6.00
●	●	NPS 14	10S	14.00	.188	6.50
●	●	NPS 16	10S	16.00	.188	7.00
●	●	NPS 18	10S	18.00	.188	8.00
●	●	NPS 20	10S	20.00	.218	9.00
●	●	NPS 22	10S	22.00	.218	10.00
●	●	NPS 24	10S	24.00	.250	10.50

Stub Ends

- Tube Stub Ends
- Lap Joint Stub Ends





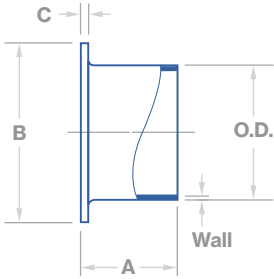
Tube Stub End, Long

Valex Standard, ASTM Tube

CONFIGURATION
38LE
Use With
38PF

Product Lines	
401	201
●	●
●	●
●	●
●	●
●	●
●	●
●	●
●	●
●	●

Dimensions in Inches					
Size	O.D.	Wall	A	B	C
1/2"	.500	.049	2.875	1.625	.098
3/4"	.750	.065	2.875	1.688	.098
1"	1.000	.065	3.125	2.000	.130
1-1/2"	1.500	.065	3.250	2.875	.130
2"	2.000	.065	3.000	3.625	.130
2-1/2"	2.500	.065	4.000	4.125	.130
3"	3.000	.065	4.250	5.000	.166
4"	4.000	.083	5.625	6.188	.166
6"	6.000	.109	7.000	8.500	.218



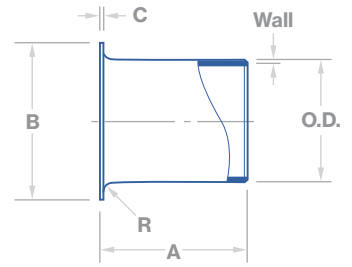
Tube Stub End, Short

Valex Standard, ASTM Tube

CONFIGURATION
38SE
Use With
38PF

Product Lines	
401	201
●	●
●	●
●	●
●	●
●	●
●	●
●	●
●	●
●	●

Dimensions in Inches					
Size	O.D.	Wall	A	B	C
1/2"	.500	.065	1.375	1.625	.098
3/4"	.750	.065	1.375	1.688	.098
1"	1.000	.065	1.625	2.000	.130
1-1/2"	1.500	.065	1.750	2.875	.130
2"	2.000	.065	1.500	3.625	.130
2-1/2"	2.500	.065	2.000	4.125	.130
3"	3.000	.065	2.250	5.000	.166
4"	4.000	.083	2.625	6.188	.166
6"	6.000	.109	3.000	8.500	.218

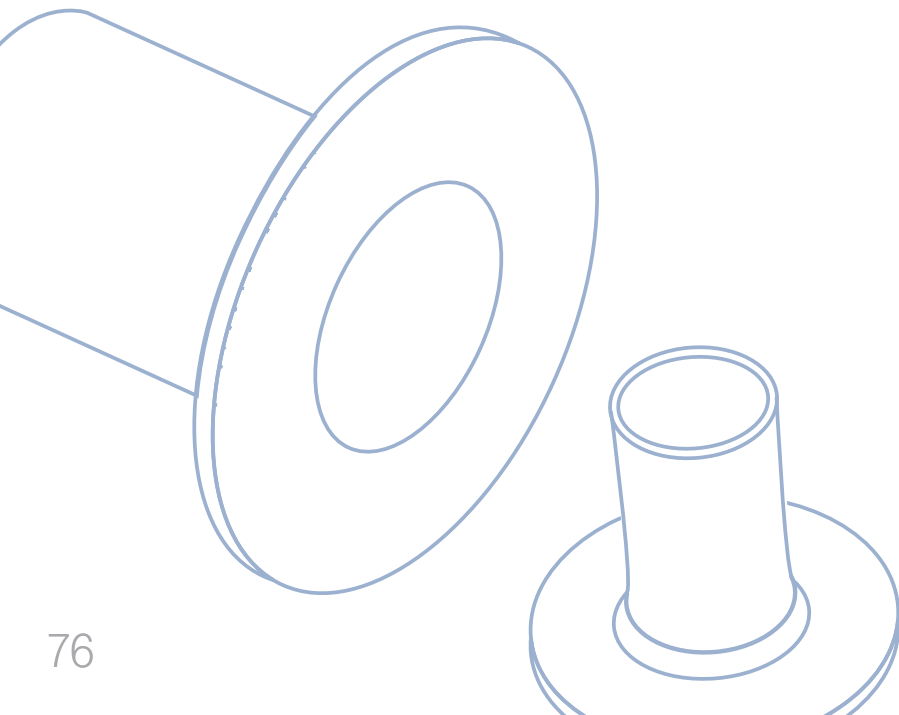


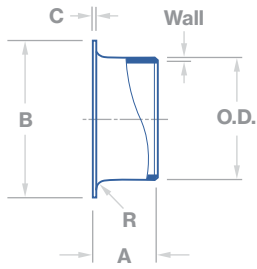
CONFIGURATION
38LA
Use With
38LJ

Lap Joint Stub End, Long

ASME B16.9 Standard, ASME Pipe

Product Lines		Dimensions in Inches							
LDEP	CFOS	Size	Sch.	O.D.	Wall	A	R	B	C
	•	NPS 1/2	10S	.809 - .896	.083	3.00	.12	1.38	.083
	•	NPS 3/4	10S	1.019 - 1.106	.083	3.00	.12	1.69	.083
	•	NPS 1	10S	1.284 - 1.376	.109	4.00	.12	2.00	.109
	•	NPS 1-1/4	10S	1.629 - 1.716	.109	4.00	.19	2.50	.109
	•	NPS 1-1/2	10S	1.869 - 1.965	.109	4.00	.25	2.88	.109
•	•	NPS 2	10S	2.344 - 2.456	.109	6.00	.31	3.62	.109
•	•	NPS 2-1/2	10S	2.844 - 2.966	.120	6.00	.31	4.12	.120
•	•	NPS 3	10S	3.469 - 3.596	.120	6.00	.38	5.00	.120
•	•	NPS 3-1/2	10S	3.969 - 4.096	.120	6.00	.38	5.50	.120
•	•	NPS 4	10S	4.469 - 4.593	.120	6.00	.44	6.19	.120
•	•	NPS 5	10S	5.532 - 5.683	.134	8.00	.44	7.31	.134
•	•	NPS 6	10S	6.594 - 6.743	.134	8.00	.50	8.50	.134
•	•	NPS 8	10S	8.594 - 8.743	.148	8.00	.50	10.62	.148
•	•	NPS 10	10S	10.719 - 10.913	.165	10.00	.50	12.75	.165
•	•	NPS 12	10S	12.719 - 12.913	.180	10.00	.50	15.00	.180
•	•	NPS 14	10S	13.969 - 14.170	.188	12.00	.50	16.25	.188
•	•	NPS 16	10S	15.969 - 16.180	.188	12.00	.50	18.50	.188
•	•	NPS 18	10S	17.969 - 18.190	.188	12.00	.50	21.00	.188
•	•	NPS 20	10S	19.969 - 20.240	.218	12.00	.50	23.00	.218
•	•	NPS 24	10S	23.969 - 24.240	.250	12.00	.50	27.25	.250





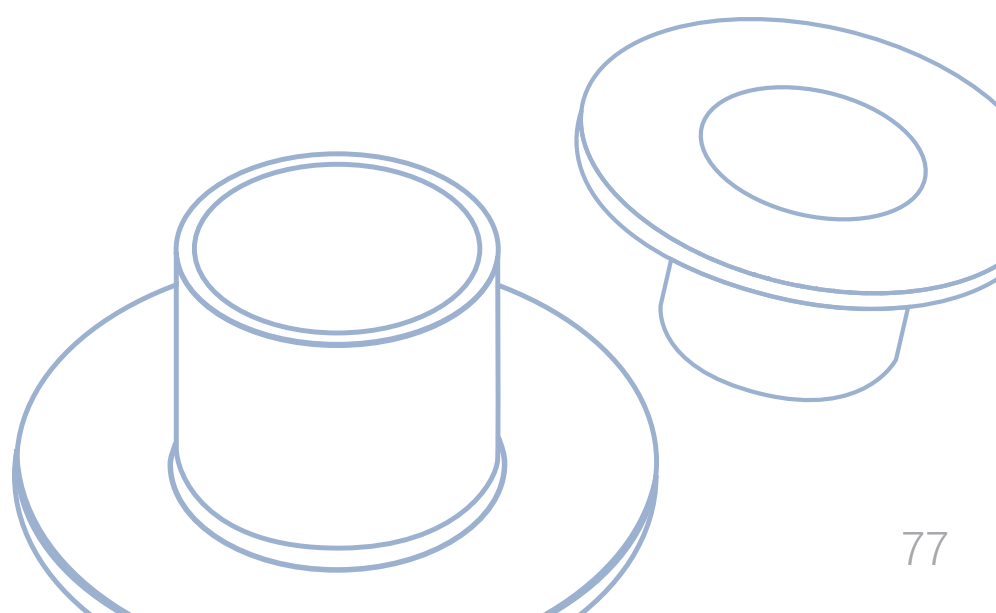
Lap Joint Stub End, Short

ASME B16.9 Standard, ASME Pipe



Product Lines	
LDEP	CFOS
	●
	●
	●
	●
●	●
●	●
●	●
●	●
●	●
●	●
●	●
●	●
●	●
●	●
●	●
●	●
●	●
●	●
●	●
●	●
●	●

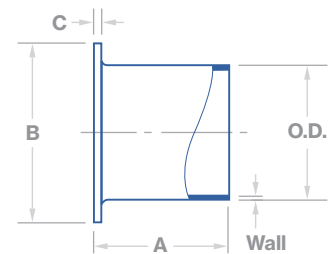
Dimensions in Inches								
Size	Sch.	O.D.	Wall	A	R	B	C	
NPS 1/2	10S	.809 - .896	.083	2.00	.12	1.38	.083	
NPS 3/4	10S	1.019 - 1.106	.083	2.00	.12	1.69	.083	
NPS 1	10S	1.284 - 1.376	.109	2.00	.12	2.00	.109	
NPS 1-1/4	10S	1.629 - 1.716	.109	2.00	.19	2.50	.109	
NPS 1-1/2	10S	1.869 - 1.965	.109	2.00	.25	2.88	.109	
NPS 2	10S	2.344 - 2.456	.109	2.50	.31	3.62	.109	
NPS 2-1/2	10S	2.844 - 2.966	.120	2.50	.31	4.12	.120	
NPS 3	10S	3.469 - 3.596	.120	2.50	.38	5.00	.120	
NPS 3-1/2	10S	3.969 - 4.096	.120	3.00	.38	5.50	.120	
NPS 4	10S	4.469 - 4.593	.120	3.00	.44	6.19	.120	
NPS 5	10S	5.532 - 5.683	.134	3.00	.44	7.31	.134	
NPS 6	10S	6.594 - 6.743	.134	3.50	.50	8.50	.134	
NPS 8	10S	8.594 - 8.743	.148	4.00	.50	10.62	.148	
NPS 10	10S	10.719 - 10.913	.165	5.00	.50	12.75	.165	
NPS 12	10S	12.719 - 12.913	.180	6.00	.50	15.00	.180	
NPS 14	10S	13.969 - 14.170	.188	6.00	.50	16.25	.188	
NPS 16	10S	15.969 - 16.180	.188	6.00	.50	18.50	.188	
NPS 18	10S	17.969 - 18.190	.188	6.00	.50	21.00	.188	
NPS 20	10S	19.969 - 20.240	.218	6.00	.50	23.00	.218	
NPS 24	10S	23.969 - 24.240	.250	6.00	.50	27.25	.250	



CONFIGURATION
38L
Use With
38LJ

Lap Joint Stub End

Valex Standard, Nominal Pressure 5K



Product Lines				
401	LDEP	201	101	CFOS
●		●	●	●
●		●	●	●
●	●	●	●	●
●	●	●	●	●
●	●	●	●	●
●	●	●	●	●
●	●	●	●	●
●	●	●	●	●
●	●	●	●	●
●	●	●	●	●
●	●	●	●	●
●	●	●	●	●
●	●	●	●	●
●	●	●	●	●
●	●	●	●	●

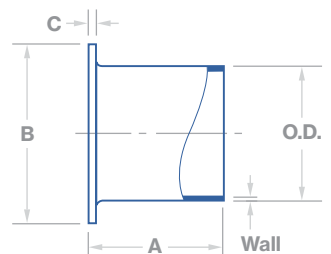
Dimensions in Millimeters							
Size	O.D.	5S Wall	10S Wall	A*	R	B	C
15A	21.7	1.65	2.10	55	3.0	44	2.5
20A	27.2	1.65	2.10	55	3.0	49	2.5
25A	34.0	1.65	2.80	55	3.0	59	2.5
32A	42.7	1.65	2.80	70	3.0	70	2.5
40A	48.6	1.65	2.80	70	3.0	75	2.5
50A	60.5	1.65	2.80	70	4.0	85	2.5
65A	76.3	2.10	3.00	75	4.0	110	2.5
80A	89.1	2.10	3.00	75	5.0	121	2.5
100A	114.3	2.10	3.00	75	5.0	141	2.5
125A	139.8	2.80	3.40	50	5.0	182	5.0
150A	165.2	2.80	3.40	50	5.0	212	5.0
200A	216.3	2.80	4.00	65	5.0	262	7.0
250A	267.4	3.40	4.00	65	5.0	324	7.0
300A	318.5	4.00	4.50	65	5.0	368	9.0

* Sizes JIS 100A and smaller are suitable for automatic welding. Sizes JIS 125A and larger are suitable for manual welding.

CONFIGURATION
38L
Use With
38LJ

Lap Joint Stub End

Valex Standard, Nominal Pressure 10K



Product Lines				
401	LDEP	201	101	CFOS
●		●	●	●
●		●	●	●
●	●	●	●	●
●	●	●	●	●
●	●	●	●	●
●	●	●	●	●
●	●	●	●	●
●	●	●	●	●
●	●	●	●	●
●	●	●	●	●
●	●	●	●	●
●	●	●	●	●
●	●	●	●	●
●	●	●	●	●
●	●	●	●	●
●	●	●	●	●

Dimensions in Millimeters							
Size	O.D.	5S Wall	10S Wall	A*	R	B	C
15A	21.7	1.65	2.10	55	3.0	51	2.5
20A	27.2	1.65	2.10	55	3.0	56	2.5
25A	34.0	1.65	2.80	55	3.0	67	2.5
32A	42.7	1.65	2.80	70	3.0	76	2.5
40A	48.6	1.65	2.80	70	3.0	81	2.5
50A	60.5	1.65	2.80	70	4.0	96	2.5
65A	76.3	2.10	3.00	75	4.0	116	2.5
80A	89.1	2.10	3.00	75	5.0	126	2.5
100A	114.3	2.10	3.00	75	5.0	151	2.5
125A	139.8	2.80	3.40	50	5.0	182	5.0
150A	165.2	2.80	3.40	50	5.0	212	5.0
200A	216.3	2.80	4.00	65	5.0	262	7.0
250A	267.4	3.40	4.00	65	5.0	324	7.0
300A	318.5	4.00	4.50	65	5.0	368	9.0

* Sizes JIS 100A and smaller are suitable for automatic welding. Sizes JIS 125A and larger are suitable for manual welding.

Flanges

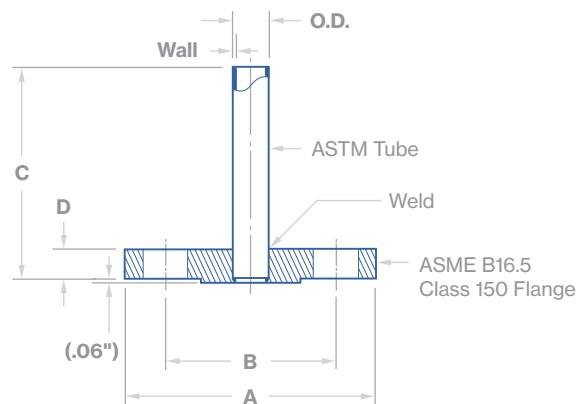
- Weld Neck Flanges
- Blind Flanges
- Blank Flanges
- Lap Joint Flanges
- Tube Plate Flanges



CONFIGURATION
38

Weld Tube Flange

ASME B16.5 Class 150 Flange
With ASTM Tube Stub



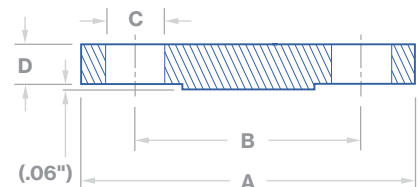
Product Lines	
401	201
•	•
•	•
•	•
•	•
•	•
•	•
•	•
•	•

Dimensions in Inches									
Tube Size	Flange Size	O.D.	Wall	A	B	C	D	# of Bolts	
1/2"	NPS 1/2	.500	.049	3.50	2.38	3.00	.38	4	
3/4"	NPS 3/4	.750	.065	3.88	2.75	3.00	.44	4	
1"	NPS 1	1.000	.065	4.25	3.12	3.00	.50	4	
1-1/2"	NPS 1-1/2	1.500	.065	5.00	3.88	3.00	.62	4	
2"	NPS 2	2.000	.065	6.00	4.75	3.50	.69	4	
3"	NPS 3	3.000	.065	7.50	6.00	4.50	.88	4	
4"	NPS 4	4.000	.083	9.00	7.50	4.50	.88	8	
6"	NPS 6	6.000	.109	11.00	9.50	4.50	.94	8	

CONFIGURATION
38BF

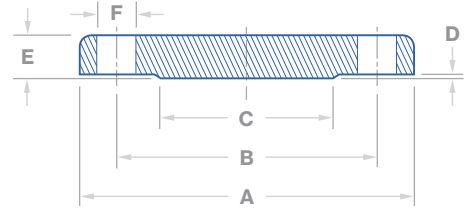
Blind Flange

ASME B16.5 Standard, Class 150



Product Lines	
LDEP	CFOS
	•
	•
	•
	•
•	•
•	•
•	•
•	•
•	•
•	•
•	•
•	•
•	•
•	•
•	•
	•
	•
	•
	•
	•
	•
	•

Dimensions in Inches					
Size	A	B	C	D	# of Bolts
NPS 1/2	3.50	2.38	.625	.38	4
NPS 3/4	3.88	2.75	.625	.44	4
NPS 1	4.25	3.12	.625	.50	4
NPS 1-1/4	4.62	3.50	.625	.56	4
NPS 1-1/2	5.00	3.88	.625	.62	4
NPS 2	6.00	4.75	.750	.69	4
NPS 2-1/2	7.00	5.50	.750	.81	4
NPS 3	7.50	6.00	.750	.88	4
NPS 3-1/2	8.50	7.00	.750	.88	8
NPS 4	9.00	7.50	.750	.88	8
NPS 5	10.00	8.50	.875	.88	8
NPS 6	11.00	9.50	.875	.94	8
NPS 8	13.50	11.75	.875	1.06	8
NPS 10	16.00	14.25	1.000	1.12	12
NPS 12	19.00	17.00	1.000	1.19	12
NPS 14	21.00	18.75	1.125	1.31	12
NPS 16	23.50	21.25	1.125	1.38	16
NPS 18	25.00	22.75	1.250	1.50	16
NPS 20	27.50	25.00	1.250	1.62	20
NPS 24	32.00	29.50	1.375	1.81	20

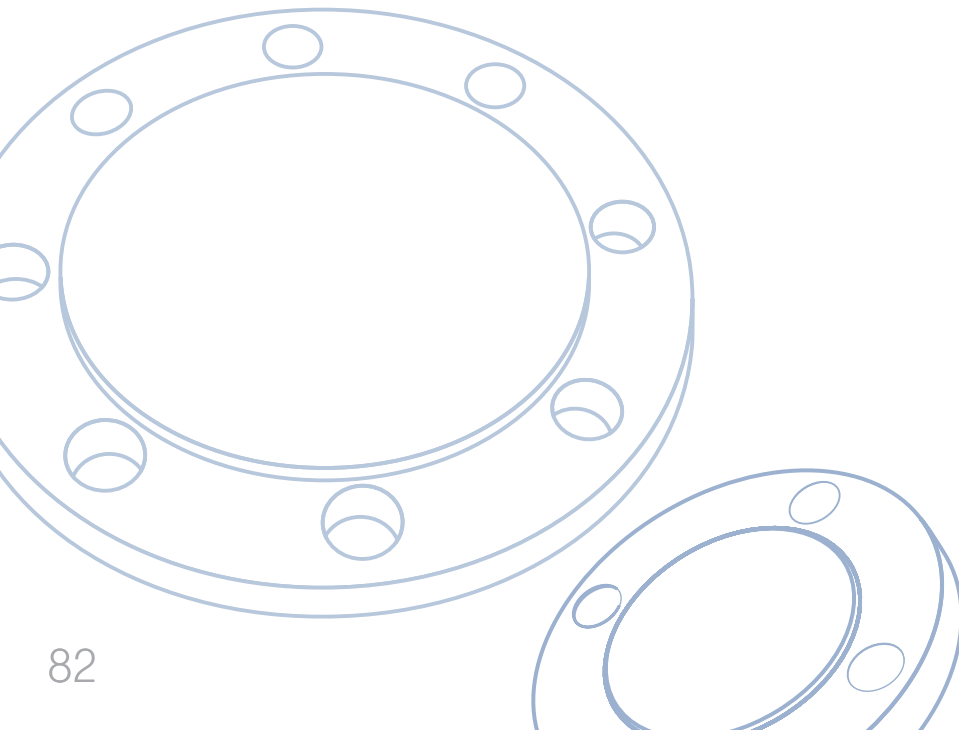


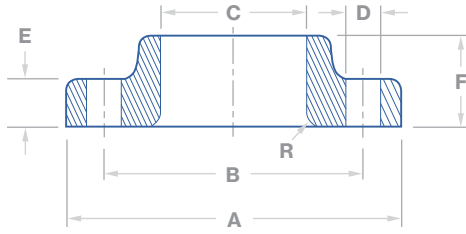
CONFIGURATION
38BF

Blank Flange

JIS B2220 Standard, Nominal Pressure 10K

Product Lines					Dimensions in Millimeters								
401	LDEP	201	101	CFOS	Size	A	B	C	D	E	F	# of Bolts	
●					10A	90	65	46	1	12	15	4	
●		●	●	●	15A	95	70	51	1	12	15	4	
●		●	●	●	20A	100	75	56	1	14	15	4	
●	●	●	●	●	25A	125	90	67	1	14	19	4	
●	●	●	●	●	32A	135	100	76	2	16	19	4	
●	●	●	●	●	40A	140	105	81	2	16	19	4	
●	●	●	●	●	50A	155	120	96	2	16	19	4	
●	●	●	●	●	65A	175	140	116	2	18	19	4	
●	●	●	●	●	80A	185	150	126	2	18	19	8	
●	●	●	●	●	90A	195	160	136	2	18	19	8	
●	●	●	●	●	100A	210	175	151	2	18	19	8	
●	●	●	●	●	125A	250	210	182	2	20	23	8	
●	●	●	●	●	150A	280	240	212	2	22	23	8	
●	●	●	●	●	200A	330	290	262	2	22	23	12	
●	●	●	●	●	250A	400	355	324	2	24	25	12	
●	●	●	●	●	300A	445	400	368	3	24	25	16	
	●	●	●	●	350A	490	445	413	3	26	25	16	
	●	●	●	●	400A	560	510	475	3	28	27	16	
	●	●	●	●	450A	620	565	530	3	30	27	20	
	●	●	●	●	500A	675	620	585	3	30	27	20	
	●	●	●	●	550A	745	680	640	3	34	33	20	
	●	●	●	●	600A	795	730	690	3	36	33	24	





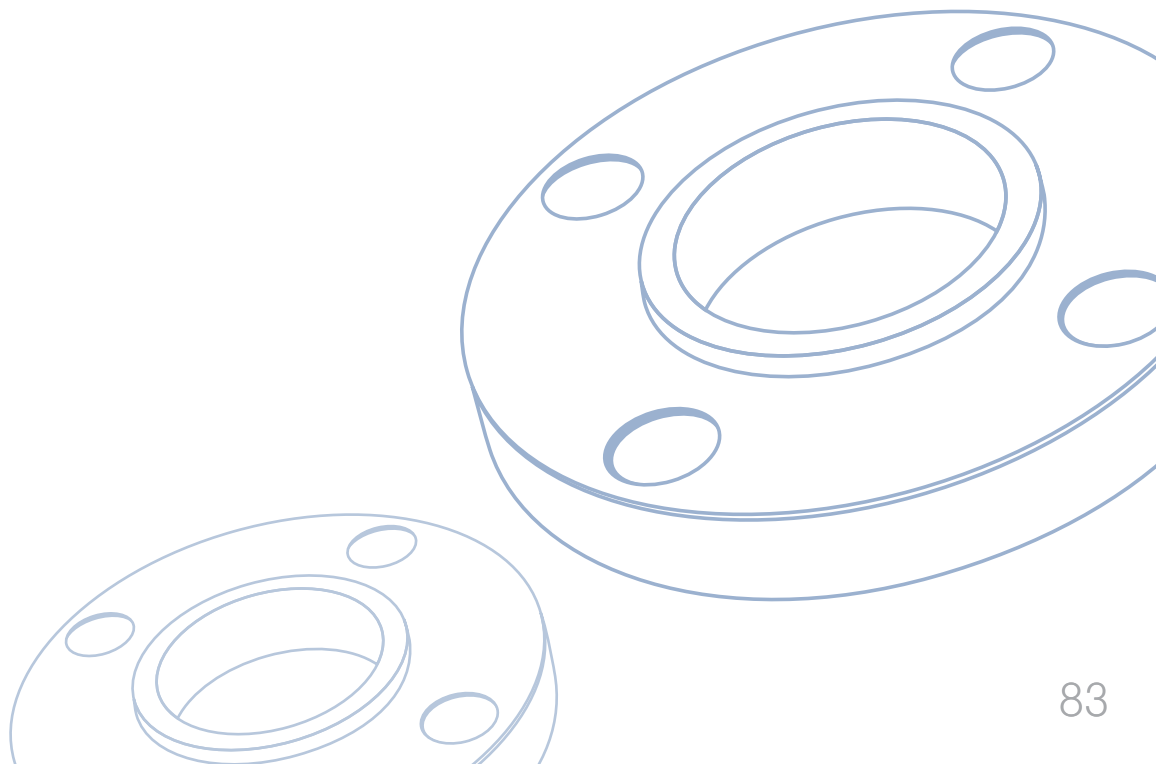
Lap Joint Flange

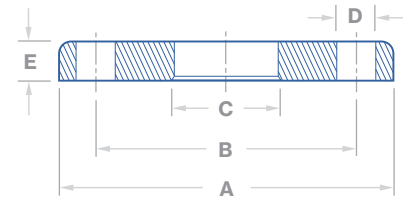
ASME B16.5 Standard, Class 150



Compatible with Product Lines*		Dimensions in Inches								
LDEP	CFOS	Size	A	B	C	D	E	F	R	# of Bolts
	●	NPS 1/2	3.50	2.38	.90	.625	.38	.62	.12	4
	●	NPS 3/4	3.88	2.75	1.11	.625	.44	.62	.12	4
	●	NPS 1	4.25	3.12	1.38	.625	.50	.69	.12	4
	●	NPS 1-1/4	4.62	3.50	1.72	.625	.56	.81	.19	4
	●	NPS 1-1/2	5.00	3.88	1.97	.625	.62	.88	.25	4
●	●	NPS 2	6.00	4.75	2.46	.750	.69	1.00	.31	4
●	●	NPS 2-1/2	7.00	5.50	2.97	.750	.81	1.12	.31	4
●	●	NPS 3	7.50	6.00	3.60	.750	.88	1.19	.38	4
●	●	NPS 3-1/2	8.50	7.00	4.10	.750	.88	1.25	.38	8
●	●	NPS 4	9.00	7.50	4.60	.750	.88	1.31	.44	8
●	●	NPS 5	10.00	8.50	5.69	.875	.88	1.44	.44	8
●	●	NPS 6	11.00	9.50	6.75	.875	.94	1.56	.50	8
●	●	NPS 8	13.50	11.75	8.75	.875	1.06	1.75	.50	8
●	●	NPS 10	16.00	14.25	10.92	1.000	1.12	1.94	.50	12
●	●	NPS 12	19.00	17.00	12.92	1.000	1.19	2.19	.50	12
	●	NPS 14	21.00	18.75	14.18	1.125	1.31	3.12	.50	12
	●	NPS 16	23.50	21.25	16.19	1.125	1.38	3.44	.50	16
	●	NPS 18	25.00	22.75	18.20	1.250	1.50	3.81	.50	16
	●	NPS 20	27.50	25.00	20.25	1.250	1.62	4.06	.50	20
	●	NPS 24	32.00	29.50	24.25	1.375	1.81	4.38	.50	20

* Lap joint flanges are only available in CFOS, but are compatible with the product lines listed above.





CONFIGURATION
38LJ
Use With
38L

Lap Joint Flange

JIS B2220 Standard, Nominal Pressure 5K

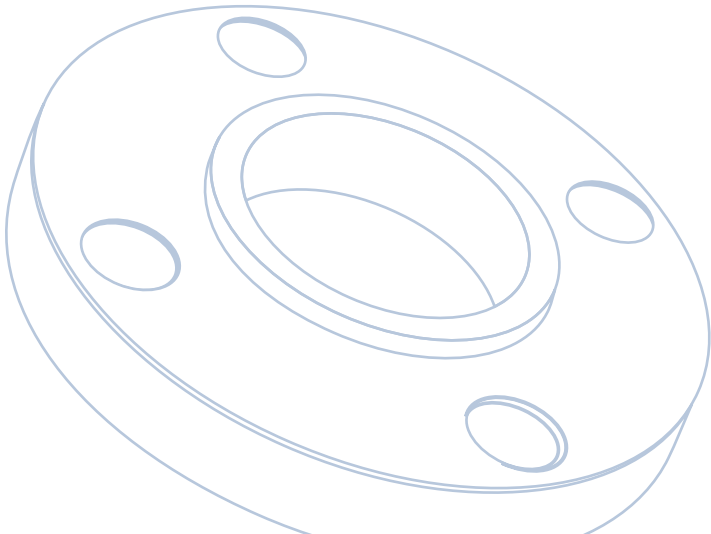
Compatible with Product Lines*

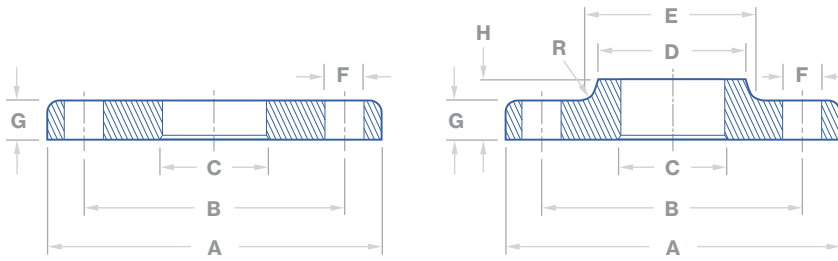
401	LDEP	201	101	CFOS
●		●	●	●
●		●	●	●
●	●	●	●	●
●	●	●	●	●
●	●	●	●	●
●	●	●	●	●
●	●	●	●	●
●	●	●	●	●
●	●	●	●	●
●	●	●	●	●
●	●	●	●	●
●	●	●	●	●
●	●	●	●	●
●	●	●	●	●
●	●	●	●	●
●	●	●	●	●

Dimensions in Millimeters

Size	A	B	C	D	E	# of Bolts
15A	80	60	23.4	12	9	4
20A	85	65	28.9	12	10	4
25A	95	75	35.6	12	10	4
32A	115	90	44.3	15	12	4
40A	120	95	50.4	15	12	4
50A	130	105	62.7	15	14	4
65A	155	130	78.7	15	14	4
80A	180	145	91.6	19	14	4
100A	200	165	116.9	19	16	8
125A	235	200	143.0	19	16	8
150A	265	230	168.4	19	18	8
200A	320	280	219.5	23	20	8
250A	385	345	271.7	23	22	12
300A	430	390	322.8	23	22	12

* Lap joint flanges are only available in CFOS, but are compatible with the product lines listed above.





Lap Joint Flange

JIS B2220 Standard, Nominal Pressure 10K

CONFIGURATION
38LJ
Use With
38L

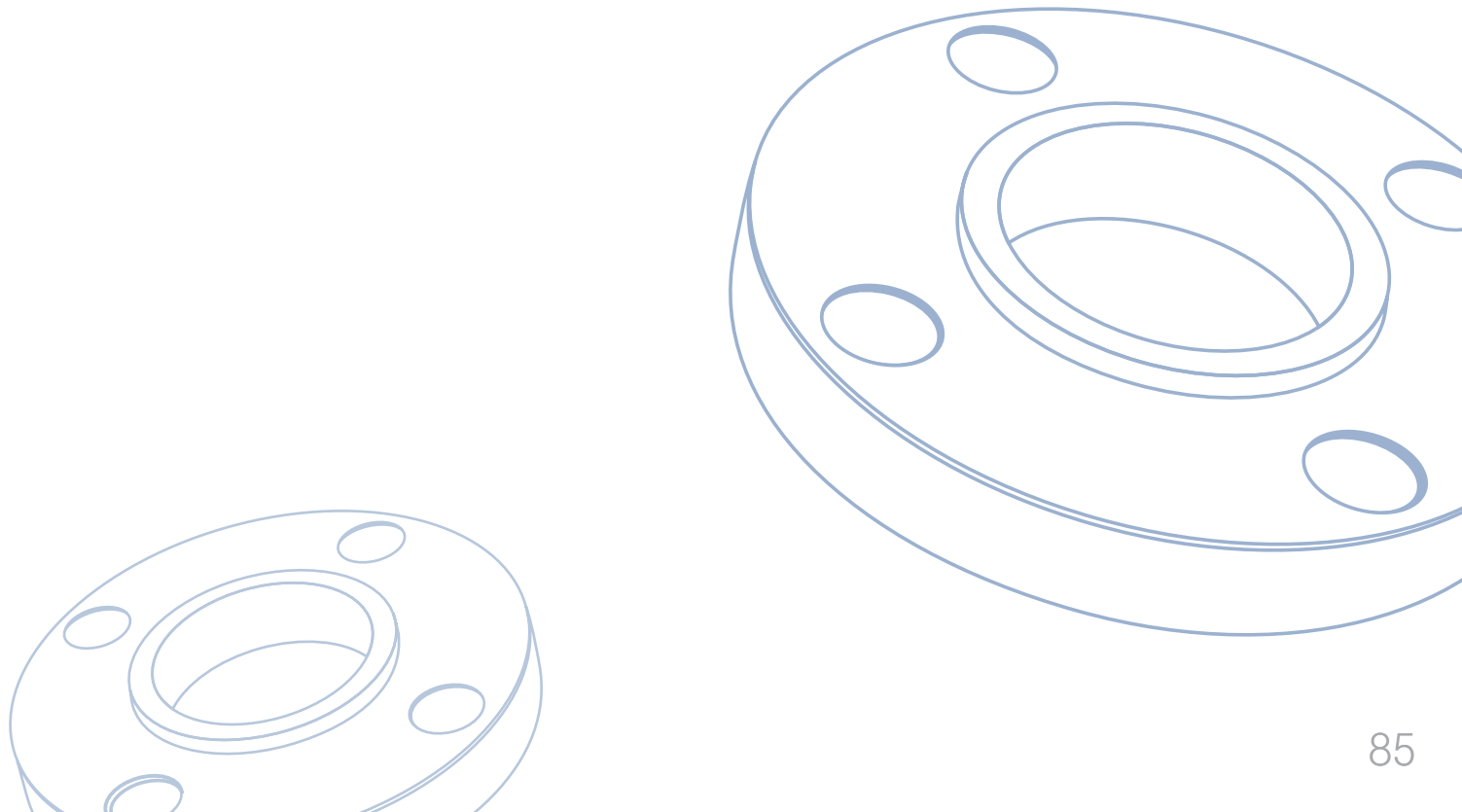
Compatible with Product Lines*

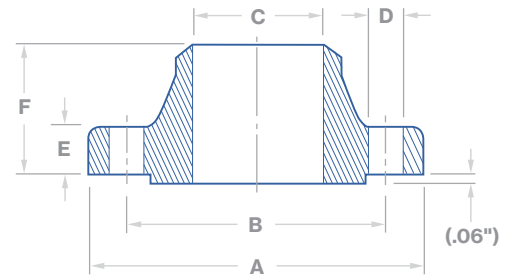
401	LDEP	201	101	CFOS
●		●	●	●
●		●	●	●
●	●	●	●	●
●	●	●	●	●
●	●	●	●	●
●	●	●	●	●
●	●	●	●	●
●	●	●	●	●
●	●	●	●	●
●	●	●	●	●
●	●	●	●	●
●	●	●	●	●
●	●	●	●	●
●	●	●	●	●
●	●	●	●	●
●	●	●	●	●

Dimensions in Millimeters

Size	A	B	C	D	E	F	G	H	R	# of Bolts				
15A	95	70	23.4	N/A	N/A	15	12	N/A	N/A	4				
20A	100	75	28.9			4								
25A	125	90	35.6			19	14			4				
32A	135	100	44.3			19	16			4				
40A	140	105	50.4			19	16			4				
50A	155	120	62.7			19	16			4				
65A	175	140	78.7			19	18			4				
80A	185	150	91.6			19	18			8				
100A	210	175	116.9			19	18			8				
125A	250	210	143.0			23	20			8				
150A	280	240	168.4			23	22			8				
200A	330	290	219.5			23	22			12				
250A	400	355	271.7			288	292			25	24	36	6	12
300A	445	400	322.8			340	346			25	24	38	6	16

* Lap joint flanges are only available in CFOS, but are compatible with the product lines listed above.



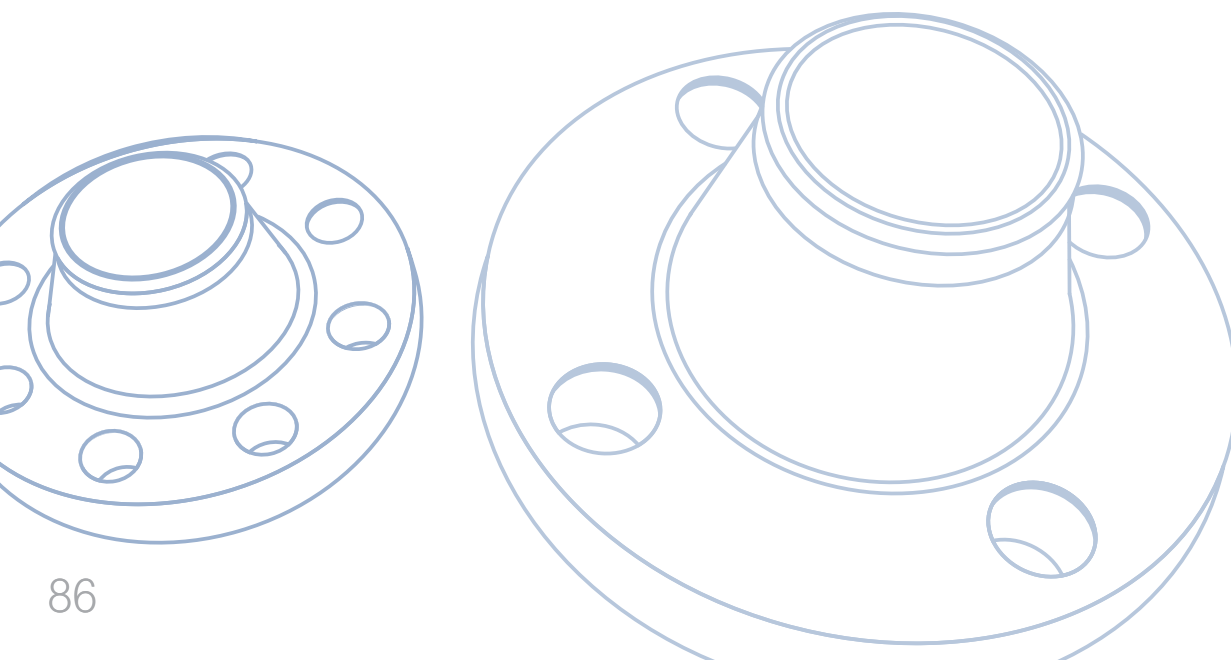


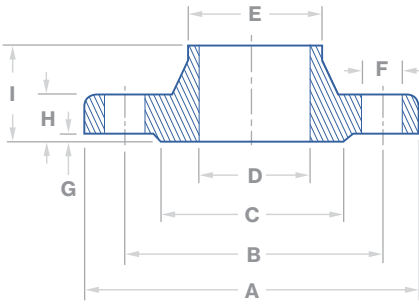
CONFIGURATION
38WN

Weld Neck Flange

ASME B16.5 Standard, Class 150

Product Lines		Dimensions in Inches							
LDEP	CFOS	Size	A	B	C	D	E	F	# of Bolts
	•	NPS 1/2	3.50	2.38	.62	.625	.38	1.81	4
	•	NPS 3/4	3.88	2.75	.82	.625	.44	2.00	4
	•	NPS 1	4.25	3.12	1.05	.625	.50	2.12	4
	•	NPS 1-1/4	4.62	3.50	1.38	.625	.56	2.19	4
	•	NPS 1-1/2	5.00	3.88	1.61	.625	.62	2.38	4
•	•	NPS 2	6.00	4.75	2.07	.750	.69	2.44	4
•	•	NPS 2-1/2	7.00	5.50	2.47	.750	.81	2.69	4
•	•	NPS 3	7.50	6.00	3.07	.750	.88	2.69	4
•	•	NPS 3-1/2	8.50	7.00	3.55	.750	.88	2.75	8
•	•	NPS 4	9.00	7.50	4.03	.750	.88	2.94	8
•	•	NPS 5	10.00	8.50	5.05	.875	.88	3.44	8
•	•	NPS 6	11.00	9.50	6.07	.875	.94	3.44	8
•	•	NPS 8	13.50	11.75	7.98	.875	1.06	3.94	8
•	•	NPS 10	16.00	14.25	10.02	1.000	1.12	3.94	12
•	•	NPS 12	19.00	17.00	12.00	1.000	1.19	4.44	12
	•	NPS 14	21.00	18.75	Customer Specified	1.125	1.31	4.94	12
	•	NPS 16	23.50	21.25		1.125	1.38	4.94	16
	•	NPS 18	25.00	22.75		1.250	1.50	5.44	16
	•	NPS 20	27.50	25.00		1.250	1.62	5.62	20
	•	NPS 24	32.00	29.50		1.375	1.81	5.94	20





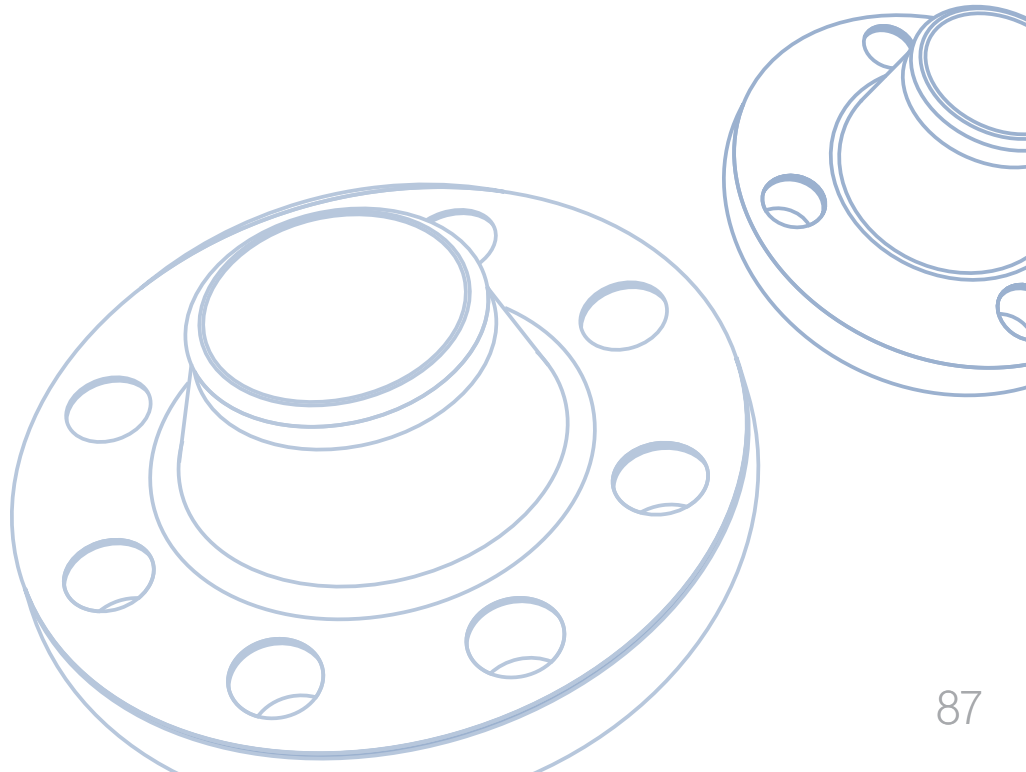
Weld Neck Flange

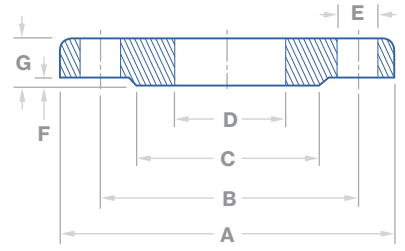
JIS B2220 Standard, Nominal Pressure 5K

CONFIGURATION
38WN

Product Lines				
401	LDEP	201	101	CFOS
●				
●		●	●	●
●		●	●	●
●	●	●	●	●
●	●	●	●	●
●	●	●	●	●
●	●	●	●	●
●	●	●	●	●
●	●	●	●	●
●	●	●	●	●
●	●	●	●	●
●	●	●	●	●
●	●	●	●	●
●	●	●	●	●
●	●	●	●	●
●	●	●	●	●
●	●	●	●	●
●	●	●	●	●
●	●	●	●	●
●	●	●	●	●
●	●	●	●	●
●	●	●	●	●
●	●	●	●	●
●	●	●	●	●
●	●	●	●	●
●	●	●	●	●
●	●	●	●	●

Dimensions in Millimeters										
Size	A	B	C	D	E	F	G	H	I	# of Bolts
10A	75	55	39	12.7	17.3	12	1	9	24	4
15A	80	60	44	16.1	21.7	12	1	9	25	4
20A	85	65	49	21.6	27.2	12	1	10	28	4
25A	95	75	59	27.6	34.0	12	1	10	30	4
32A	115	90	70	35.7	42.7	15	2	12	33	4
40A	120	95	75	41.6	48.6	15	2	12	34	4
50A	130	105	85	52.9	60.5	15	2	14	36	4
65A	155	130	110	67.9	76.3	15	2	14	39	4
80A	180	145	121	80.7	89.1	19	2	14	41	4
90A	190	155	131	93.2	101.6	19	2	14	41	4
100A	200	165	141	105.3	114.3	19	2	16	41	8
125A	235	200	176	130.8	139.8	19	2	16	43	8
150A	265	230	206	155.2	165.2	19	2	18	49	8
200A	320	280	252	204.7	216.3	23	2	20	53	8
250A	385	345	317	254.2	267.4	23	2	22	61	12
300A	430	390	360	304.7	318.5	23	3	22	62	12
350A	480	435	403	339.8	355.6	25	3	24	73	12
400A	540	495	463	390.6	406.4	25	3	24	76	16
450A	605	555	523	441.4	457.2	25	3	24	79	16
500A	655	605	573	492.2	508.0	25	3	24	79	20
550A	720	665	630	543.0	558.8	27	3	26	81	20
600A	770	715	680	593.8	609.6	27	3	26	81	20





CONFIGURATION
38WN

Weld Neck Flange

JIS B2220 Standard, Nominal Pressure 10K

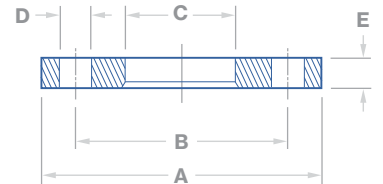
Product Lines				
401	LDEP	201	101	CFOS
•				
•		•	•	•
•		•	•	•
•	•	•	•	•
•	•	•	•	•
•	•	•	•	•
•	•	•	•	•
•	•	•	•	•
•	•	•	•	•
•	•	•	•	•
•	•	•	•	•
•	•	•	•	•
•	•	•	•	•
•	•	•	•	•
•	•	•	•	•
•	•	•	•	•
•	•	•	•	•
•	•	•	•	•
•	•	•	•	•
•	•	•	•	•
•	•	•	•	•
•	•	•	•	•

Dimensions in Millimeters								
Size	A	B	C	D	E	F	G	# of Bolts
10A	90	65	46	12.7	15	1	12	4
15A	95	70	51	16.1	15	1	12	4
20A	100	75	56	21.6	15	1	14	4
25A	125	90	67	27.6	19	1	14	4
32A	135	100	76	35.7	19	2	16	4
40A	140	105	81	41.6	19	2	16	4
50A	155	120	96	52.9	19	2	16	4
65A	175	140	116	67.9	19	2	18	4
80A	185	150	126	80.7	19	2	18	8
90A	195	160	136	93.2	19	2	18	8
100A	210	175	151	105.3	19	2	18	8
125A	250	210	182	130.8	23	2	20	8
150A	280	240	212	155.2	23	2	22	8
200A	330	290	262	204.7	23	2	22	12
250A	400	355	324	254.2	25	2	24	12
300A	445	400	368	304.7	25	3	24	16
350A	490	445	413	339.8	25	3	26	16
400A	560	510	475	390.6	27	3	28	16
450A	620	565	530	441.4	27	3	30	20
500A	675	620	585	492.2	27	3	30	20
550A	745	680	640	543.0	33	3	32	20
600A	795	730	690	593.8	33	3	32	24

CONFIGURATION
38PF
Use With
38LE/38SE

Tube Plate Flange

Valex Standard, ASTM Tube



Compatible with Product Lines	
401	201
•	•
•	•
•	•
•	•
•	•
•	•
•	•
•	•
•	•

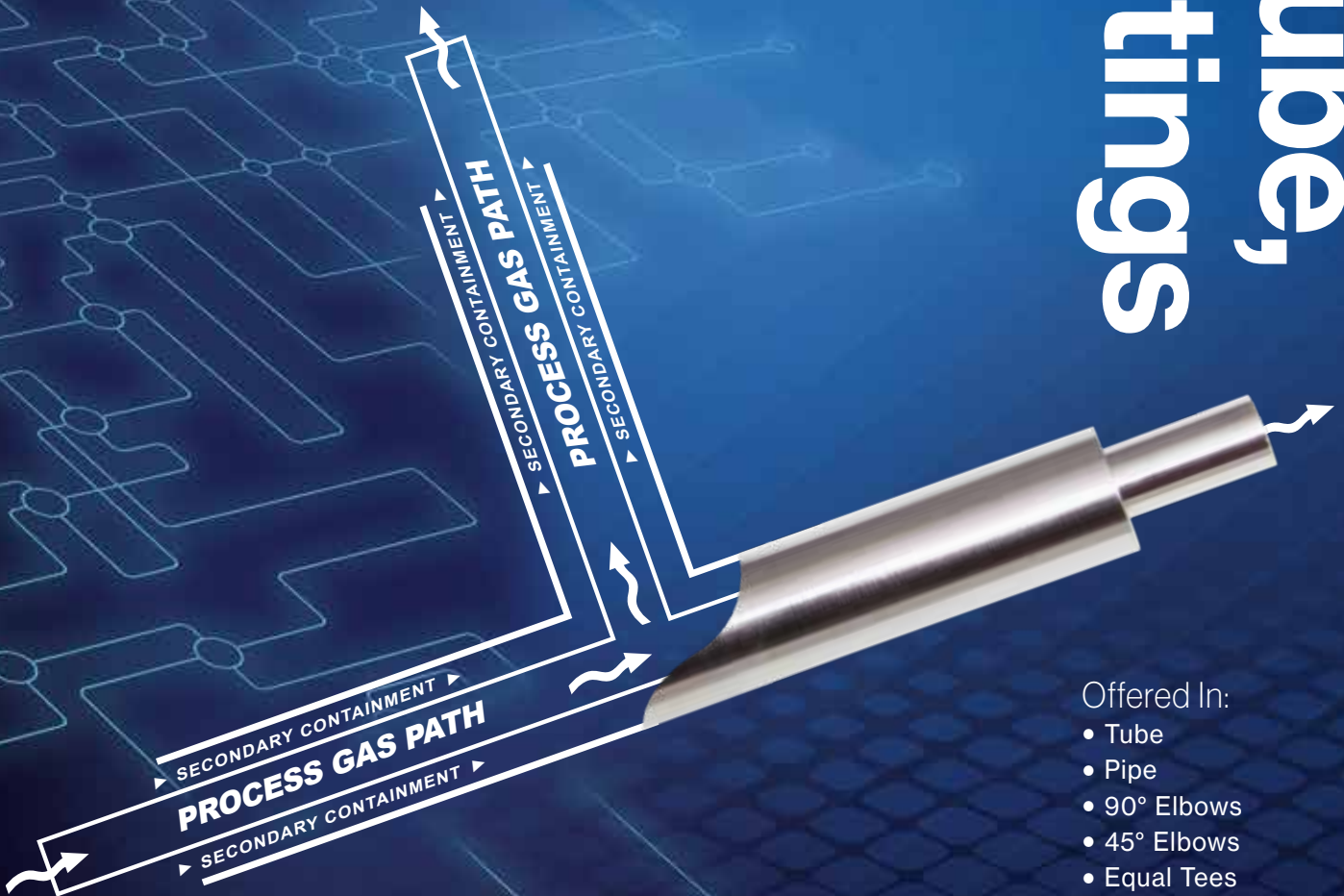
Dimensions in Inches						
Size	A	B*	C	D	E	# of Bolts
1/2"	3.50	2.38	.563	.625	.38	4
3/4"	3.88	2.75	.788	.625	.44	4
1"	4.25	3.13	1.063	.625	.50	4
1-1/2"	5.00	3.88	1.563	.625	.62	4
2"	6.00	4.75	2.063	.750	.69	4
2-1/2"	7.00	5.50	2.563	.750	.81	4
3"	7.50	6.00	3.063	.750	.88	4
4"	9.00	7.50	4.063	.750	.88	8
6"	11.00	9.50	6.063	.875	.94	8

* Tube plate flanges are only available in 201, but compatible with the product lines shown above.

Coaxial Tube, Pipe & Fittings

Coaxial Tube System

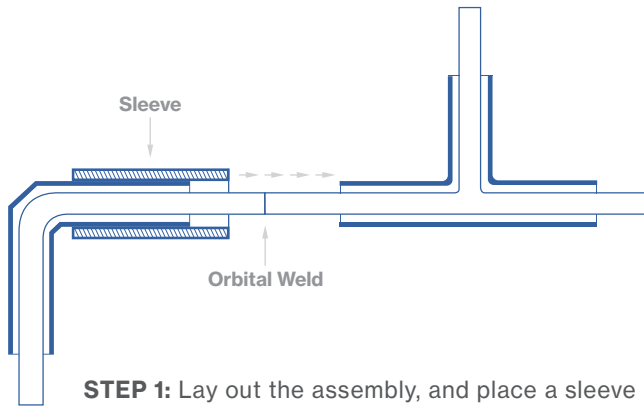
Valex pioneered the stainless steel Coaxial Tube System more than 30 years ago to meet the requirements set forth in codes and ordinances written at the inception of the semiconductor industry. Since then, we've gone on to design and deliver a full range of tube, pipe and fittings that "double-contain" toxic and hazardous gases for particularly dangerous processes. To provide absolute safety, all coaxial products are designed for automatic orbital welding in joint connections.



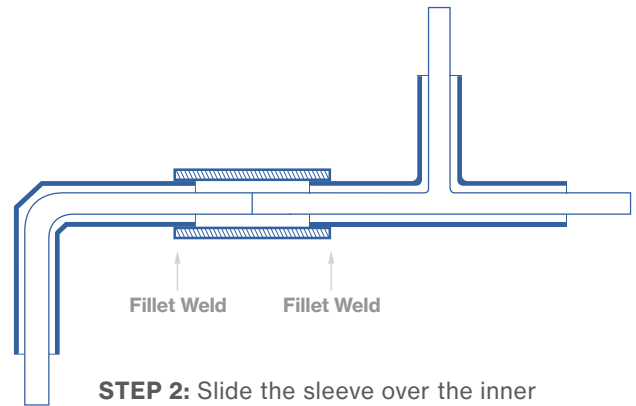
Offered In:

- Tube
- Pipe
- 90° Elbows
- 45° Elbows
- Equal Tees
- Reducing Tees
- Concentric Reducers
- Purge Tees
- Sleeves
- Weld Glands
- Terminators
- Bulkhead Fittings

Sleeve Assembly:

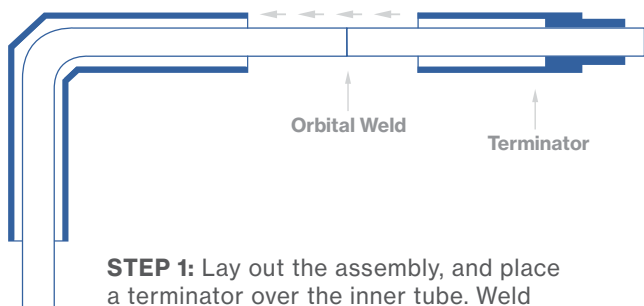


STEP 1: Lay out the assembly, and place a sleeve over one of the fittings. Weld the inner tube together, helium-leak test, and inspect the weld.

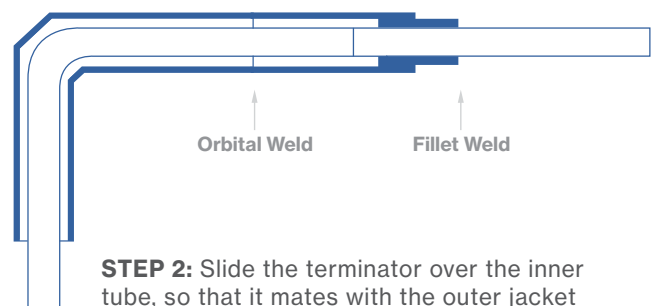


STEP 2: Slide the sleeve over the inner tube, so that it completely covers the gap between both outer jackets. Weld both ends, helium-leak test, and inspect.

Terminator Assembly:

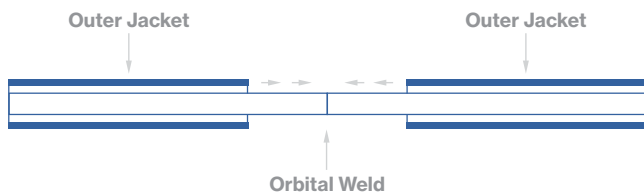


STEP 1: Lay out the assembly, and place a terminator over the inner tube. Weld the inner tubes together, helium-leak test, and inspect.

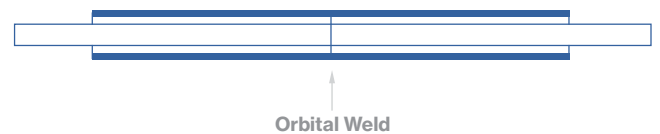


STEP 2: Slide the terminator over the inner tube, so that it mates with the outer jacket of the fitting. Weld both ends, helium-leak test, and inspect.

Tube to Tube Assembly:



STEP 1: Lay out the assembly. Weld the inner tubes together, helium-leak test, and inspect.

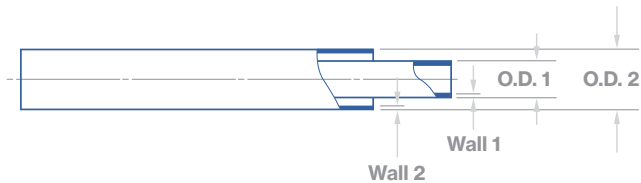


STEP 2: Slide the outer jackets together, so they completely enclose the inner tube. Weld, helium-leak test, and inspect.



Coaxial Tube

ASTM A269 / A632



Product Lines			
401	301	201	101
●	●	●	●
●	●	●	●
●	●	●	●
●	●	●	●
●	●	●	●
●	●	●	●
●	●	●	●
●	●	●	●
●	●	●	●
●	●	●	●

Dimensions in Inches								
Size	Inner Tube		Outer Tube		Weight per foot (lbs.)	Maximum Pressure*		
	O.D. 1	Wall 1	O.D. 2	Wall 2		PSI	Bar	
1/4"	.250	.035	.500	.049	.32	2,509	173	
1/4"	.250	.039	.500	.049	.33	2,509	173	
3/8"	.375	.035	.625	.049	.43	1,981	137	
3/8"	.375	.039	.625	.049	.44	1,981	137	
1/2"	.500	.049	.750	.065	.72	2,207	152	
3/4"	.750	.065	1.00	.065	1.13	1,631	113	
1"	1.00	.065	1.25	.065	1.48	1,294	89	
1-1/2"	1.50	.065	2.00	.065	2.36	796	55	
2"	2.00	.065	2.50	.065	3.06	635	44	

* Gauge pressure is listed.

Notes:

- Maximum safe pressure calculated per ASME B 31.3-2014, paragraph 304.1.2 (formula 3a). Calculations assume maximum allowable O.D. and minimum allowable wall thickness (worst case scenario) for the outer jacket only.
- Pressures listed in the chart above are based on welded outer jacket material. Inner tube and outer jacket tube material per ASTM A269 TP 304L or TP 316L.

Coaxial Tube

UNS N06022 Alloy Inner Tube³
with Stainless Steel Outer Jacket

Product Line
222
●
●
●

Dimensions in Inches								
Size	Inner Tube		Outer Tube		Weight per foot (lbs.)	Maximum Pressure*		
	O.D. 1	Wall 1	O.D. 2	Wall 2		PSI	Bar	
1/4"	.250	.035	.500	.049	.33	2,509	173	
3/8"	.375	.035	.625	.049	.44	1,981	137	
1/2"	.500	.049	.750	.065	.74	2,207	152	

* Gauge pressure is listed.

Notes:

- Maximum safe pressure calculated per ASME B 31.3-2014, paragraph 304.1.2 (formula 3a). Calculations assume maximum allowable O.D. and minimum allowable wall thickness (worst case scenario) for the outer jacket only.
- Pressures listed in the chart above are based on welded outer jacket material per ASTM A269 TP 304L or TP 316L. Inner tube material is UNS N06022 Alloy.
- Material: Haynes Hastelloy® C-22® is available upon request. Hastelloy and C-22 are registered trademarks of Haynes International Inc.

Coaxial Pipe

JIS G3459, Schedule 5S

Product Lines		
401	201	101
●		
●	●	●
●	●	●
●	●	●
●	●	●
●	●	●

Dimensions in Millimeters								
Size	Inner Pipe		Outer Pipe		Weight per meter (kg.)	Maximum Pressure*		
	O.D. 1	Wall 1	O.D. 2	Wall 2		PSI	Bar	
10A	17.3	1.20	27.2	1.65	1.53	1471	101	
15A	21.7	1.65	34.0	1.65	2.14	1168	81	
20A	27.2	1.65	42.7	1.65	2.73	923	64	
25A	34.0	1.65	48.6	1.65	3.24	808	56	
32A	42.7	1.65	48.6	1.65	3.60	808	56	

* Gauge pressure is listed.

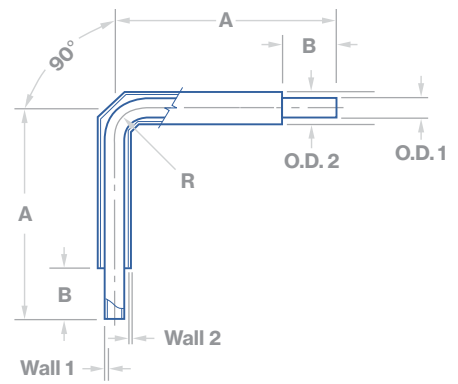
Notes:

- Maximum safe pressure calculated per ASME B 31.3-2014, paragraph 304.1.2 (formula 3a). Calculations assume maximum allowable O.D. and minimum allowable wall thickness (worst case scenario) for the outer jacket only.
- Pressures listed in the chart above are based on welded outer jacket material. Inner pipe and outer jacket pipe material per SUS 304LTP or SUS 316LTP per JIS G3459, and SUS 304 LTPY, SUS 316 LTPY per JIS G3468.

CONFIGURATION
2

Coaxial 90° Elbow

Valex Standard, ASTM Tube



Product Lines		
401	201	222
•	•	•
•	•	•
•	•	•
•	•	•
•	•	•
•	•	•
•	•	•

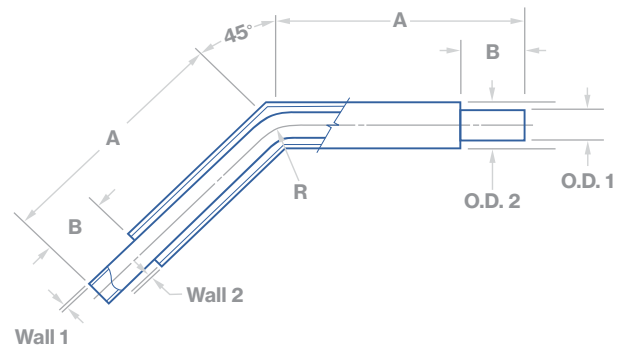
Dimensions in Inches								
Size*	Inner Tube		Outer Tube		A	B	R	
	O.D. 1	Wall 1	O.D. 2	Wall 2				
1/4"	.250	.035	.500	.049	4.375	1.00	.56	
3/8"	.375	.035	.625	.049	4.125	1.00	.56	
1/2"	.500	.049	.750	.065	4.250	1.00	.75	
3/4"	.750	.065	1.000	.065	6.750	1.75	1.12	
1"	1.000	.065	1.250	.065	7.125	1.75	1.50	
1-1/2"	1.500	.065	2.000	.065	8.375	2.00	2.25	
2"	2.000	.065	2.500	.065	9.000	2.00	3.00	

* Size is based on o.d. of inner tube.

CONFIGURATION
2K

Coaxial 45° Elbow

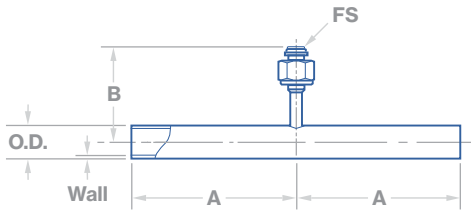
Valex Standard, ASTM Tube



Product Lines		
401	201	222
•	•	•
•	•	•
•	•	•
•	•	•
•	•	•
•	•	•
•	•	•

Dimensions in Inches								
Size*	Inner Tube		Outer Tube		A	B	R	
	O.D. 1	Wall 1	O.D. 2	Wall 2				
1/4"	.250	.035	.500	.049	4.000	1.00	.56	
3/8"	.375	.035	.625	.049	3.875	1.00	.56	
1/2"	.500	.049	.750	.065	3.875	1.00	.75	
3/4"	.750	.065	1.000	.065	6.125	1.75	1.12	
1"	1.000	.065	1.250	.065	6.250	1.75	1.50	
1-1/2"	1.500	.065	2.000	.065	7.120	2.00	2.25	
2"	2.000	.065	2.500	.065	8.000	2.00	3.00	

* Size is based on o.d. of inner tube.



Dimensions



Coaxial Female Purge Tee

Valex Standard, ASTM Tube



Compatible with Product Lines

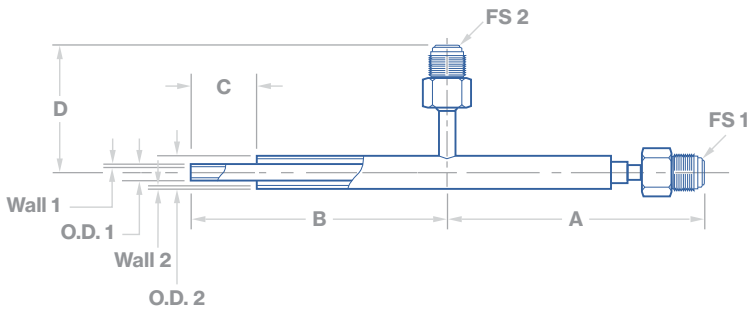
401	201	222
●	●	●
●	●	●
●	●	●
●	●	●
●	●	●
●	●	●
●	●	●

Dimensions in Inches

Size*	O.D.	Wall	A	B	Face-Seal Size
1/4"	.500	.049	2.875	1.90	1/4"
3/8"	.625	.049	3.000	1.96	1/4"
1/2"	.750	.065	3.000	2.01	1/4"
3/4"	1.000	.065	4.625	2.14	1/4"
1"	1.250	.065	4.750	2.26	1/4"
1-1/2"	2.000	.065	5.625	2.64	1/4"
2"	2.500	.065	5.750	2.89	1/4"

* Size indicates inner tubing the purge tee is compatible with.

Note:
1. Purge tees are offered in grade TP 316L for all product lines.



Coaxial Purge Tee With Male Face-Seal Gland

Valex Standard, ASTM Tube



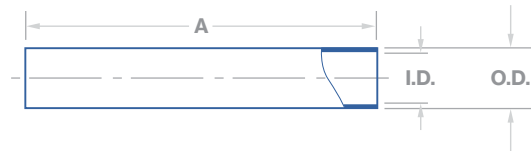
Product Lines

401	201
●	●
●	●
●	●
●	●

Dimensions in Inches

Size*	Inner Tube		Outer Tube		A	B	C	D	Face-Seal Size	
	O.D. 1	Wall 1	O.D. 2	Wall 2					FS 1	FS 2
1/4"	.250	.035	.500	.049	3.875	3.875	1.00	1.90	1/4"	1/4"
3/8"	.375	.035	.625	.049	4.000	4.000	1.00	1.96	3/8"	1/4"
1/2"	.500	.049	.750	.065	4.000	4.000	1.00	2.01	1/2"	1/4"
3/4"	.750	.065	1.000	.065	6.000	6.000	1.00	2.18	3/4"	1/4"

* Size is based on o.d. of inner tube.



CONFIGURATION
12

Coaxial Sleeve

Valex Standard, ASTM Tube

Compatible with Product Lines

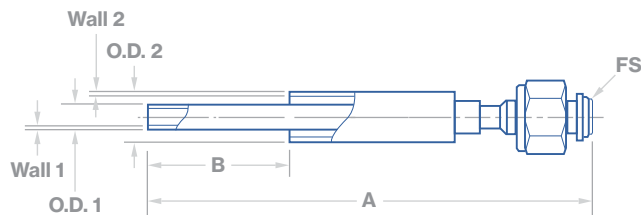
401	201	222
•	•	•
•	•	•
•	•	•
•	•	•
•	•	•
•	•	•
•	•	•

Dimensions in Inches

Size*	O.D.	I.D.	A (Standard Length)	A (Additional Lengths)
1/4"	.625	.507	2.50	4.00 / 5.00 / 6.00
3/8"	.750	.632	2.50	4.00 / 5.00 / 6.00
1/2"	.875	.758	2.50	4.00 / 5.00 / 6.00
3/4"	1.125	1.008	4.00	4.00 / 5.00 / 6.00
1"	1.375	1.258	4.00	N/A
1-1/2"	2.125	2.023	4.50	N/A
2"	2.625	2.523	4.50	N/A

* Sleeve size indicates the size of coax tubing the sleeve is compatible with.

Note:
1. Sleeves are offered in grade TP 316L for all product lines.



CONFIGURATION
14FS

Coaxial Female Face-Seal Weld Gland

Valex Standard, ASTM Tube

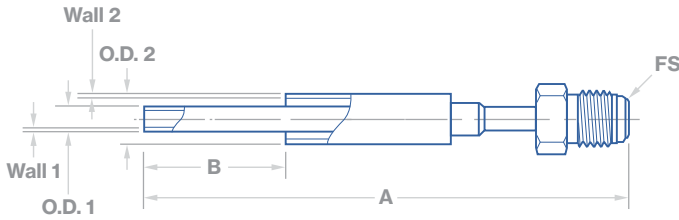
Product Lines

401	201
•	•
•	•
•	•
•	•
•	•

Dimensions in Inches

Size*	Inner Tube		Outer Tube		A	B	Face-Seal Size
	O.D. 1	Wall 1	O.D. 2	Wall 2			FS
1/4"	.250	.035	.500	.049	3.50	.850 - 1.060	1/4"
3/8"	.375	.035	.625	.049	3.50	.850 - 1.060	3/8"
1/2"	.500	.049	.750	.065	3.50	.850 - 1.060	1/2"
3/4"	.750	.065	1.000	.065	7.50	1.845 - 1.970	3/4"
1"	1.000	.065	1.250	.065	7.75	1.805 - 1.930	1"

* Size is based on o.d. of inner tube.



Coaxial Male Face-Seal Weld Gland

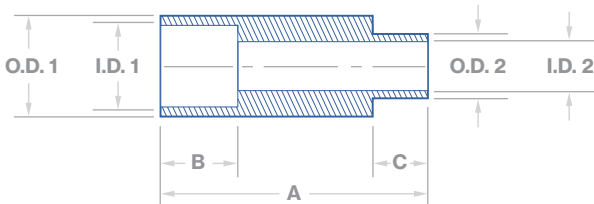
Valex Standard, ASTM Tube

CONFIGURATION
15FS

Product Lines	
401	201
●	●
●	●
●	●
●	●
●	●

Size*	Inner Tube		Outer Tube		A	B	Face-Seal Size FS
	O.D. 1	Wall 1	O.D. 2	Wall 2			
1/4"	.250	.035	.500	.049	3.50	.850 - 1.060	1/4"
3/8"	.375	.035	.625	.049	3.50	.850 - 1.060	3/8"
1/2"	.500	.049	.750	.065	3.50	.850 - 1.060	1/2"
3/4"	.750	.065	1.000	.065	7.50	1.845 - 1.970	3/4"
1"	1.000	.065	1.250	.065	7.75	1.805 - 1.930	1"

* Size is based on o.d. of inner tube.



Coaxial Terminator

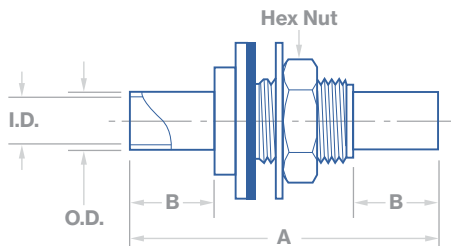
Valex Standard, ASTM Tube

CONFIGURATION
16

Compatible with Product Lines		
401	201	222
●	●	●
●	●	●
●	●	●
●	●	●
●	●	●
●	●	●
●	●	●

Size*	Dimensions in Inches							
	O.D. 1	I.D. 1	O.D. 2	I.D. 2	A	B	C	
1/4"	.500	.402	.325	.255	1.25	.37	.25	
3/8"	.625	.527	.450	.380	1.25	.37	.25	
1/2"	.750	.620	.603	.506	1.25	.37	.25	
3/4"	1.000	.870	.885	.756	2.00	.50	.25	
1"	1.250	1.120	1.135	1.006	2.00	.50	.25	
1-1/2"	2.000	1.870	1.635	1.511	2.25	.75	.25	
2"	2.500	2.360	2.135	2.011	2.25	.75	.25	

* Terminator size indicates the size of coax tubing the terminator is compatible with.



Coaxial Bulkhead Fitting

Valex Standard, ASTM Tube

CONFIGURATION
17BH

Compatible with Product Lines		
401	201	222
●	●	●
●	●	●
●	●	●
●	●	●
●	●	●

Size*	Dimensions in Inches				
	O.D.	I.D.	A	B	Hex Nut
1/4"	.500	.402	3.625	1.00	3/4-16UNF
3/8"	.625	.527	3.625	1.00	7/8-14UNF
1/2"	.750	.620	3.625	1.00	1-1/16-12UNF
3/4"	1.000	.870	5.125	1.75	1-5/16-12UNF
1"	1.250	1.120	5.125	1.75	1-5/8-12UNF

* Bulkhead fitting size indicates the size of coax tubing the bulkhead fitting is compatible with.
Note: Bulkhead fittings are offered in grade TP 316L for all product lines.

Ordering Info.

Tube & Pipe

- ASTM Tube Sizes
- JIS Pipe Sizes
- ASTM Tube, ASTM Pipe & JIS Pipe Sizes

Fittings

- ASTM Tube Sizes
- JIS Pipe Sizes
- ASTM Tube, ASTM Pipe & JIS Pipe Sizes

Coaxial Tube, Pipe & Fittings

- ASTM Tube Sizes
- JIS Pipe Sizes

To place an order, please submit your order request to inquire@valex.com.
To find your nearest distributor go to Valex.com

Tube

Product Lines: 401, 301, 201, 101, 444 & 222

ASTM Tube Sizes

Example 1:

T 4 A - Q S - . 1 3 x4 - 0 2 8 B 0

Use Only for 4-meter Length Tube

Example 2:

T 2 A - 0 S - 0 0 5 0 0 - 0 4 9

T 4 A

Process

- T1A = SP-9204 (Product Line 101)
- T2A = SP 9206 (Product Line 201)
- T3A = SP-9223 (Product Line 301)
- T4A = SP-9220 (Product Line 401)
- TMC = SP-9207 (Product Line 222)²
- TNE = SP-9241 (Product line 444)

Q | S

Alloy¹

- 0S = 316L Seamless
- 0W = 316L Welded
- 2S = 304L Seamless
- 2W = 304L Welded
- 3S = 304L Seamless
- 3W = 304L Welded
- AS = 304 Seamless
- AW = 304 Welded
- HS = UNS N06022 Alloy
- KS = 316L Seamless VIM/VAR
- NS = 316L Seamless (ASTM Standard)
- NW = 316L Welded (ASTM Standard)
- RS = 316L Seamless
- RW = 316L Welded
- QS = 316L Seamless
- QW = 316L Welded
- VS = 316L Seamless VIM/VAR

. 1 3

Size

Use for:
20-foot & 6-meter
Length Tube

4-meter Length Tube
& Product Line 444

00125	.13	= .125" Diameter
00250	.25	= .25" Diameter
00375	.38	= .375" Diameter
00500	.50	= .5" Diameter
00750	.75	= .75" Diameter
01000	1.0	= 1" Diameter
01500	1.5	= 1.5" Diameter
02000	2.0	= 2" Diameter
02500	2.5	= 2.5" Diameter
03000	3.0	= 3" Diameter
04000	4.0	= 4" Diameter
06000	6.0	= 6" Diameter

x4

Used Only
for 4-meter Length Tube

0 2 8

Wall Thickness

- 028 = .028" Thick
- 035 = .035" Thick
- 039 = .039" Thick
- 049 = .049" Thick
- 065 = .065" Thick
- 083 = .083" Thick
- 109 = .109" Thick

B | 0

Surface Finish & Visuals

Used only for 401 product line

- A5 = 5µin Ra Max, Superior Visuals
- A7 = 7µin Ra Max, Superior Visuals
- B0 = 10µin Ra Max, Standard Visuals
- C0 = 10µin Ra, Relaxed Visuals

Used only for 444 product line

- 5 = 5µin Ra Max
- 10 = 10µin Ra Max

Notes:

1. See Valex SP-9200 sheet 9 for breakdown of alloy chemistries and melt type.

2. Material: Haynes Hastelloy® C-22® is available upon request. Hastelloy and C-22 are registered trademarks of Haynes International Inc.

Tube

Product Lines: 444

ASTM Tube Sizes

Example:

H **E** **1** - **.** **2** **5** x **1** **8** - **5** **R** **A**

H **E** **1**

Process Code

HE1 = SP-9241 (UNS Designation N06022)²

. **2** **5**

Size Code

.25 = 1/4" O.D. X .035" Wall
 .38 = 3/8" O.D. X .035" Wall
 .50 = 1/2" O.D. X .049" Wall
 .75 = 3/4" O.D. X .065" Wall

5 **R** **A**

Surface Finish

5Ra = 5µin Ra
 10Ra = 10µin Ra

1 **8**

Segment Length

XX = Segment Length in Inches

Notes:

1. See Valex SP-9200 sheet 9 for breakdown of alloy chemistries and melt type.
2. Material: Haynes Hastelloy® C-22® is available upon request. Hastelloy and C-22 are registered trademarks of Haynes International Inc.

Pipe

Product Lines: 401, 201 & 101

JIS Pipe Sizes

Example 1:

P 4 A - R S - 0 5 0 A x4 - 0 5 S B 0

Use Only for 4-meter Length Pipe

Example 2:

P 2 A - R S - 0 1 5 0 A - 1 0 S

P | 4 | A

Process

- P1A = SP-9204 (Product Line 101)
- P2A = SP 9206 (Product Line 201)
- P4A = SP-9220 (Product Line 401)

R | S

Alloy¹

- 1S = 304L Seamless (JIS Standard)
- 1W = 304L Welded (JIS Standard)
- AS = 304 Seamless
- AW = 304 Welded
- BS = 316L Seamless VOD/VAR
- NS = 316L Seamless (JIS Standard)
- NW = 316L Welded (JIS Standard)
- RS = 316L Seamless
- RW = 316L Welded

0 | 5 | 0

Size

Use for:

20-foot & 6-meter
Length Pipe

4-meter
Length Pipe

0008	008	= 8A Pipe
0010	010	= 10A Pipe
0015	015	= 15A Pipe
0020	020	= 20A Pipe
0025	025	= 25A Pipe
0032	032	= 32A Pipe
0040	040	= 40A Pipe
0050	050	= 50A Pipe
0065	065	= 65A Pipe
0080	080	= 80A Pipe
0090	090	= 90A Pipe
0100	100	= 100A Pipe
0125	125	= 125A Pipe
0150	150	= 150A Pipe
0200	200	= 200A Pipe
0250	250	= 250A Pipe
0300	300	= 300A Pipe
0350	350	= 350A Pipe
0400	400	= 400A Pipe
0450	450	= 450A Pipe
0500	500	= 500A Pipe
0550	550	= 550A Pipe
0600	600	= 600A Pipe
0650	650	= 650A Pipe
0700	700	= 700A Pipe
0750	750	= 750A Pipe
0800	800	= 800A Pipe

A

End Type

- A = Square
- B = 32.5° Beveled
- C = Square, +10% / -15% Wall
- D = 32.5° Beveled, +10% / -15% Wall
- J = Square, -20% Wall
- K = 32.5° Beveled, -20% Wall

x4

Used Only for 4-meter Length Pipe

0 | 5 | S

Schedule

6m Pipe:

- 05S = JIS Schedule 5
- 10S = JIS Schedule 10

4m Pipe:

- 05 = JIS Schedule 5
- 10 = JIS Schedule 10

B | 0

Surface Finish & Visuals

Used only for 401 product line

- A5 = 5µin Ra Max, Superior Visuals
- A7 = 7µin Ra Max, Superior Visuals
- B0 = 10µin Ra Max, Standard Visuals
- C0 = 10µin Ra, Relaxed Visuals

Notes:

1. See Valex SP-9200 sheet 9 for breakdown of alloy chemistries and melt type.

Tube & Pipe

Product Lines: CFOS & LDEP

ASTM Tube, ASTM Pipe & JIS Pipe Sizes

Example :

D **W** - **1** **5** **0** **L** x **1** **0** **S** - **B** **A** **4** **0**

D | W

Process / Alloy

CS = 316L Seamless
 CW = 316L Welded
 DS = 304L Seamless
 DW = 304L Welded
 AS = 304 Seamless
 AW = 304 Welded

1 | 5 | 0

Size

ASTM Tube:

1/4 = .25" Diameter
 3/8 = .375" Diameter
 1/2 = .5" Diameter
 3/4 = .75" Diameter
 1 = 1" Diameter
 1-1/2 = 1.5" Diameter
 2 = 2" Diameter
 2-1/2 = 2.5" Diameter
 3 = 3" Diameter
 4 = 4" Diameter
 6 = 6" Diameter

JIS & NPS Pipe:

25 = DN 25 (JIS 25A)
 32 = DN 32 (JIS 32A)
 40 = DN 40 (JIS 40A)
 50 = DN 50 (NPS 2 / JIS 50A)
 65 = DN 65 (NPS 2-1/2 / JIS 65A)
 80 = DN 80 (NPS 3 / JIS 80A)
 90 = DN 90 (NPS 3-1/2 / JIS 90A)
 100 = DN 100 (NPS 4 / JIS 100A)
 125 = DN 125 (NPS 5 / JIS 125A)
 150 = DN 150 (NPS 6 / JIS 150A)
 200 = DN 200 (NPS 8 / JIS 200A)
 250 = DN 250 (NPS 10 / JIS 250A)

300 = DN 300 (NPS 12 / JIS 300A)
 350 = DN 350 (NPS 14 / JIS 350A)
 400 = DN 400 (NPS 16 / JIS 400A)
 450 = DN 450 (NPS 18 / JIS 450A)
 500 = DN 500 (NPS 20 / JIS 500A)
 550 = DN 550 (NPS 22 / JIS 550A)
 600 = DN 600 (NPS 24 / JIS 600A)
 650 = DN 650 (JIS 650A)
 700 = DN 700 (JIS 700A)
 750 = DN 750 (NPS 30 / JIS 750A)
 800 = DN 800 (JIS 800A)

L

End Type

ASTM Tube:

Blank = Square

JIS Pipe:

A = Square
 B = Beveled
 J = Square, -20% Wall
 K = Beveled, -20% Wall

NPS Pipe:

L = Square
 M = Beveled
 N = Square, -20% Wall
 P = Beveled, -20% Wall

1 | 0 | S

Wall Thickness

Tube Wall:

.035 = .035" Thick
 .039 = .039" Thick
 .049 = .049" Thick
 .065 = .065" Thick
 .083 = .083" Thick
 .109 = .109" Thick

Pipe Schedule:

5S = Schedule 5
 10S = Schedule 10
 40S = Schedule 40
 80S = Schedule 80

B | A | 4 | 0

Surface Finish

AP = CFOS, O.D. = AP, I.D. = AP
 ODMP = CFOS, O.D. = MP, I.D. = AP
 BA = CFOS, O.D. = BA, I.D. = BA
 BA40 = CFOS, O.D. = BA, I.D. = 40 Ra BA
 EP = LDEP, O.D. = BA, I.D. = EP
 20 Ra Ave / 25 Ra Max
 ID40 = CFOS, O.D. = AP, I.D. = 40 Ra BA
 IDMP = CFOS, O.D. = AP, I.D. = BA

ASTM Tube Example:

CS-1/2x.049-BA

Valex CFOS Spec Tube, 316L Seamless, 1/2" O.D. x .049" Wall, BA Finish Option, Squared Ends

JIS Pipe Example:

AW-250BX10S-AP

Valex CFOS Spec Pipe, 304 Welded, JIS Size 250A x Schedule 10, AP Finish Option, Beveled Ends

NPS Pipe Example:

DW-250LX20S-BA40

Valex CFOS Spec Pipe, 304L Welded, NPS 10 (DN 250) x Schedule 20, BA Finish Option with 40 Ra, Squared Ends

Fittings

Product Lines: 401, 201 & 222

ASTM Tube Sizes

Example: **E** **7 R** - **. 7 5** x (**. 5**) - **B 0**
Used Only for Reducing Fittings

E

Process / Alloy¹

- B = SP-9206 (Product Line 201)
0S/0W/A4 (316L)
- D = SP-9206 (Product Line 201)
2S/2W (304L)
- E = SP-9220 (Product Line 401)
0S/0W/A4 (316L)
- H = SP-9207 (Product Line 222)
HS (N06022)²
- Q = SP-9220 (Product Line 401)
VS (316L)
- RB = SP-9206 (Product Line 201)
RS/RW (316L)
- RE = SP-9220 (Product Line 401)
RS/RW (316L)

7 R

Configuration

- 2 = 90° Elbow
- 2W = 90° Elbow, WLD
- 2K = 45° Elbow
- 2KW = 45° Elbow, WLD
- 7 = Equal Tee
- 7W = Equal Tee, WLD
- 7R = Reducing Tee
- 7RW = Reducing Tee, WLD
- 7RWW = Reducing Tee, WLD x WLD
- 9 = Cross
- 16 = End Cap
- 16W = End Cap, WLD
- 31 = Conc. Reducer
- 31(S) = Conc. Reducer, Short Type
- 31W = Conc. Reducer, WLD x SMLS
- 31WW = Conc. Reducer, WLD x WLD
- 38 = Weld Neck Flange w/ SMLS Tube
- 38W = Weld Neck Flange w/ WLD Tube
- 38SE = Tube Stub End, Short
- 38LE = Tube Stub End, Long
- 38PF = Tube Plate Flange

. 7 5

Size

- .25 = 1/4" O.D. x .035" Wall
- .25M = 1/4" O.D. x .039" (1mm) Wall
- .375 = 3/8" O.D. x .035" Wall
- .375M = 3/8" O.D. x .039" (1mm) Wall
- .5 = 1/2" O.D. x .049" Wall
- .75 = 3/4" O.D. x .065" Wall
- .75M = 3/4" O.D. x .049" Wall
- 1 = 1" O.D. x .065" Wall
- 1.5 = 1-1/2" O.D. x .065" Wall
- 2 = 2" O.D. x .065" Wall
- 2.5 = 2-1/2" O.D. x .065" Wall
- 3 = 3" O.D. x .065" Wall
- 4 = 4" O.D. x .083" Wall
- 6 = 6" O.D. x .109" Wall

(**. 5**)

Used Only for Reducing Fittings

Please refer to "size" code if applicable.

B 0

Surface Finish & Visuals

Used only for 401 product line

- A5 = 5µin Ra Max, Superior Visuals
- A7 = 7µin Ra Max, Superior Visuals
- B0 = 10µin Ra Max, Standard Visuals
- C0 = 10µin Ra, Relaxed Visuals

Single Wall Fitting Example 1:

E2-5-B0

Valex 401 Spec, 90° Elbow, 1/2" O.D. x .049" Wall,
10 Ra Max, 0S Chemistry, Standard Visuals

Single Wall Fitting Example 2:

Q7R-1x.5-A5

Valex 401 Spec, Reducing Tee, 1" (.065" Wall) x 1/2" (.049" Wall),
5 Ra Max, VS Chemistry, Superior Visuals

Notes:

1. See Vallex SP-9200 sheet 9 for breakdown of alloy chemistries and melt type.
2. Material: Haynes Hastelloy® C-22® is available upon request. Hastelloy and C-22 are registered trademarks of Haynes International Inc.

Fittings

Product Lines: 401, 201 & 101

JIS Pipe Sizes

Example:

J E **7 R W** - **8 0 A T** x (**4 0 A T**) - **B 0**

Used Only for Reducing Fittings

J | E

Process / Alloy¹

- JA = SP-9204 (Product Line 101) AS/AW (304)
- JB = SP-9206 (Product Line 201) RS/RW (316L)
- JD = SP-9206 (Product Line 201) AS/AW (304)
- JE = SP-9220 (Product Line 401) RS/RW (316L)

7 | R | W

Configuration

- 2S = 90° Elbow, Short Radius
- 2L = 90° Elbow, Long Radius
- 2WS = 90° Elbow, Short Radius, WLD
- 2WL = 90° Elbow, Long Radius, WLD
- 2K = 45° Elbow
- 2KW = 45° Elbow, WLD
- 2SS = 90° Elbow, Short, JIS B2312
- 2LS = 90° Elbow, Long, JIS B2312
- 2WSS = 90° Elbow, Short, JIS B2313, WLD
- 2WLS = 90° Elbow, Long, JIS B2313, WLD
- 2KLS = 45° Elbow, Long, JIS B2312
- 2KWLS = 45° Elbow, Long, JIS B2313, WLD
- 7 = Equal Tee
- 7W = Equal Tee, WLD
- 7R = Reducing Tee
- 7RW = Reducing Tee, WLD
- 7RWW = Reducing Tee, WLD x WLD
- 7RN = Reducing Tee, No Riser
- 7S = Equal Tee, JIS B2312 / B2313
- 7RS = Reducing Tee, JIS B2312 / B2313
- 7RSN = Reducing Tee, JIS B2312 / B2313, No Riser
- 16 = End Cap
- 16W = End Cap, WLD
- 31 = Conc. Reducer
- 31W = Conc. Reducer, WLD x SMLS
- 31WW = Conc. Reducer, WLD x WLD
- 31FF = Conc. Reducer, Formed, No Tangent
- 31FS = Conc. Reducer, No Tangent Large, Small Tangent SMLS
- 31SF = Conc. Reducer, Large Tangent SMLS, No Tangent Small
- 31FW = Conc. Reducer, No Tangent Large, Small Tangent WLD

- 31WF = Conc. Reducer, Large Tangent WLD, No Tangent Small
- 33 = Conc. Reducer, Cap Type
- 33FF = Cap Reducer, Formed, No Tangent
- 33FS = Cap Reducer, No Tangent Large, Small Tangent SMLS
- 33SF = Cap Reducer Large Tangent SMLS, No Tangent Small
- 33FW = Cap Reducer, No Tangent Large, Small Tangent WLD
- 33WF = Cap Reducer, Large Tangent WLD, No Tangent Small
- 38BF = Blank Flange
- 38L = Lap Joint Stub End, JIS
- 38LJ = Lap Joint Flange
- 38WN = Weld Neck Flange

8 | 0

Size

- 8 = 8A Pipe
- 10 = 10A Pipe
- 15 = 15A Pipe
- 20 = 20A Pipe
- 25 = 25A Pipe
- 32 = 32A Pipe
- 40 = 40A Pipe
- 50 = 50A Pipe
- 65 = 65A Pipe
- 80 = 80A Pipe
- 90 = 90A Pipe
- 100 = 100A Pipe
- 125 = 125A Pipe
- 150 = 150A Pipe
- 200 = 200A Pipe
- 250 = 250A Pipe
- 300 = 300A Pipe
- 350 = 350A Pipe
- 400 = 400A Pipe
- 450 = 450A Pipe
- 500 = 500A Pipe
- 550 = 550A Pipe
- 600 = 600A Pipe

A

End Type

- A = Square
- B = 32.5° Beveled
- C = Square, +10% / -15% Wall
- D = 32.5° Beveled, +10% / -15% Wall
- J = Square, -20% Wall
- K = 32.5° Beveled, -20% Wall

Flange Type

- S = JIS 5K
- T = JIS 10K

T

Schedule

- Blank = 5S
- T = 10S

Face-Type (Flange Only)

- 1 = Full Face
- 2 = Raised Face
- 3 = Grooved Face

(4 0 A T)

Used Only for Reducing Fittings

Please refer to the "size, end type and schedule" codes if applicable.

B | 0

Surface Finish & Visuals

Used only for 401 product line

- A5 = 5µin Ra Max, Superior Visuals
- A7 = 7µin Ra Max, Superior Visuals
- B0 = 10µin Ra Max, Standard Visuals
- C0 = 10µin Ra, Relaxed Visuals

Notes:

1. See Vallex SP-9200 sheet 9 for breakdown of alloy chemistries and melt type.

Fittings

Product Lines: CFOS & LDEP

ASTM Tube, ASME Pipe & JIS Pipe Sizes

Example:

D F **7 R W** - **8 4 P T** (**8 1 P T**) - **1**

Used Only for Reducing Fittings

D | F

Alloy

AF = 304
CF = 316L
DF = 304L

| | 7 | R | W

Configuration

2S = 90° Elbow, Short Radius
2L = 90° Elbow, Long Radius
2WS = 90° Elbow, Short Radius, WLD
2WL = 90° Elbow, Long Radius, WLD
2K = 45° Elbow
2KW = 45° Elbow, WLD
2SS = 90° Elbow, Short, ASME B16.9 / JIS B2312
2LS = 90° Elbow, Long, ASME B16.9 / JIS B2312
2WSS = 90° Elbow, Short, ASME B16.9 / JIS B2312, WLD
2WLS = 90° Elbow, Long, ASME B16.9 / JIS B2312, WLD
2KLS = 45° Elbow, Long, ASME B16.9 / JIS B2312
2KWLS = 45° Elbow, Long, ASME B16.9 / JIS B2312, WLD
7 = Equal Tee
7W = Equal Tee, WLD
7R = Reducing Tee
7RW = Reducing Tee, WLD
7RWW = Reducing Tee, WLD x WLD
7S = Equal Tee, JIS B2312
7RS = Reducing Tee, JIS B2312
9 = Equal Cross
16 = End Cap
16W = End Cap, WLD
31 = Conc. Reducer
31W = Conc. Reducer, WLD x SMLS
31WW = Conc. Reducer, WLD x WLD
33 = Cap Reducer
38BF = Blind / Blank Flange
38L = Lap Joint Stub End, JIS
38LA = Lap Joint Stub End, Long Pattern, Type "A", ASME B16.9

38SA = Lap Joint Stub End, Short Pattern, Type "A", ASME B16.9
38LJ = Lap Joint Flange
38WN = Weld Neck Flange

8 | 4

Size

ASTM Tube:

04 = .25" Diameter	32 = 2" Diameter
06 = .375" Diameter	40 = 2.5" Diameter
08 = .5" Diameter	48 = 3" Diameter
12 = .75" Diameter	64 = 4" Diameter
16 = 1" Diameter	96 = 6" Diameter
24 = 1.5" Diameter	

JIS & NPS Pipe:

70 = DN 15 (NPS 1/2 / JIS 15A)
71 = DN 20 (NPS 3/4 / JIS 20A)
72 = DN 25 (NPS 1 / JIS 25A)
73 = DN 32 (NPS 1-1/4 / JIS 32A)
74 = DN 40 (NPS 1-1/2 / JIS 40A)
75 = DN 50 (NPS 2 / JIS 50A)
76 = DN 65 (NPS 2-1/2 / JIS 65A)
77 = DN 80 (NPS 3 / JIS 80A)
78 = DN 90 (NPS 3-1/2 / JIS 90A)
79 = DN 100 (NPS 4 / JIS 100A)
80 = DN 125 (NPS 5 / JIS 125A)
81 = DN 150 (NPS 6 / JIS 150A)
82 = DN 200 (NPS 8 / JIS 200A)
83 = DN 250 (NPS 10 / JIS 250A)
84 = DN 300 (NPS 12 / JIS 300A)
85 = DN 350 (NPS 14 / JIS 350A)
86 = DN 400 (NPS 16 / JIS 400A)
87 = DN 450 (NPS 18 / JIS 450A)
88 = DN 500 (NPS 20 / JIS 500A)
89 = DN 550 (NPS 22 / JIS 550A)
90 = DN 600 (NPS 24 / JIS 600A)
91 = DN 600 (JIS 650A)
92 = DN 700 (JIS 700A)
93 = DN 750 (JIS 750A)
94 = DN 800 (JIS 800A)

Fitting Example 1:

CF31W-82PT81PT-4

Valex LDEP Spec, Concentric Reducer, NPS 8 (Sch 10) x NPS 6 (Sch 10), 20 Ra, EP, 316L

P

Type Code

ASTM Tube:

Blank = Square

JIS Pipe:

A = Square
B = Beveled
J = Square, -20% Wall
K = Beveled, -20% Wall

NPS Pipe:

L = Square
M = Beveled
N = Square, -20% Wall
P = Beveled, -20% Wall

Flange Type:

Q = Class 150, B16.5
R = Class 300, B16.5
S = JIS B2220, 5K
T = JIS B2220, 10K

T

Wall

ASTM Tube:

B = .035" Wall
C = .039" Wall
D = .049" Wall
F = .065" Wall
G = .083" Wall
J = .109" Wall

JIS & NPS Pipe:

Blank = 5S
T = 10S
V = 40S
W = 80S

Flange Type (Flange Only):

1 = Flat / Full Face
2 = Raised Face
3 = Grooved Face

(8 | 1 | P | T)

Used Only for Reducing Fittings

Please refer to "size, end type and wall" codes if applicable.

1

Finish Code

Blank = No Finish Requirement

1 = CFOS, O.D. = AP, I.D. = AP
2 = CFOS, O.D. = BA, I.D. = BA
3 = CFOS, O.D. = BA, I.D. = 40 Ra BA
4 = LDEP, O.D. = BA, I.D. = EP 20 Ra Ave / 25 Ra Max
5 = CFOS, O.D. = AP, I.D. = 40 Ra BA
6 = CFOS, O.D. = AP, I.D. = BA
7 = CFOS, O.D. = MP, I.D. = AP

Coaxial Tube

Product Lines: 401, 301, 201, 101 & 222

ASTM Tube Sizes

Example:

C T 4 A - W - V S - . 3 7 5 x4 - A 5

Use Only for 4-meter Length Tube

C | T | 4 | A

Inner Process

- CT1A = SP-9204 (Product Line 101)
- CT2A = SP-9206 (Product Line 201)
- CT3A = SP-9223 (Product Line 301)
- CT4A = SP-9220 (Product Line 401)
- CTMC = Per SP-9207 (Product Line 222)²

W

Outer Alloy¹

- S = 316L OS Seamless
- W = 316L OW Welded
- 2S = 304L Seamless
- 2W = 304L Welded
- AW = 304 Welded
- NS = 316L Seamless (ASTM Standard)
- RS = 316L Seamless
- RW = 316L Welded

V | S

Inner Alloy¹

- OS = 316L Seamless
- OW = 316L Welded
- 2S = 304L Seamless
- 2W = 304L Welded
- 3S = 304L Seamless
- 3W = 304L Welded
- HS = UNS N06022 Alloy
- KS = 316L Seamless VIM/VAR
- NS = 316L Seamless (ASTM Standard)
- NW = 316L Welded (ASTM Standard)
- QS = 316L Seamless
- QW = 316L Welded
- RS = 316L Seamless
- RW = 316L Welded
- VS = 316L Seamless VIM/VAR

. | 3 | 7 | 5 (X | X | X | X)

Inner Size

Use for:

20-foot & 6-meter Length Tube	4-meter Length Tube	
.25	.25	= .25" Diameter
.25M	.25M	= .25" Diameter (1mm Wall)
.375	.38	= .375" Diameter
.375M	.38M	= .375" Diameter (1mm Wall)
.5	.5	= .5" Diameter
.75	.75	= .75" Diameter
1	1	= 1" Diameter
1.5	1.5	= 1.5" Diameter
2	2	= 2" Diameter

x4

Used Only for 4-Meter Length Tube

A | 5

Surface Finish & Visuals

Used only for 401 product line

- A5 = 5µin Ra Max, Superior Visuals
- A7 = 7µin Ra Max, Superior Visuals
- B0 = 10µin Ra Max, Standard Visuals
- C0 = 10µin Ra, Relaxed Visuals

Notes:

1. See Valox SP-9200 sheet 9 for breakdown of alloy chemistries and melt type.
2. Material: Haynes Hastelloy® C-22® is available upon request. Hastelloy and C-22 are registered trademarks of Haynes International Inc.

Coaxial Pipe

Product Lines: 401, 201 & 101

JIS Pipe Sizes

Example: **C P 4 A - A W - R S - 0 2 0 A x4 - A 5**
Use Only for 4-meter Length Tube

C | P | 4 | A

Inner Process

- CP1A = SP-9204 (Product Line 101)
- CP2A = SP-9206 (Product Line 201)
- CP4A = SP-9220 (Product Line 401)

A | W

Outer Alloy¹

- AS = 304 Seamless
- AW = 304 Welded
- NS = 316L Seamless (JIS Standard)
- NW = 316L Welded (JIS Standard)
- RS = 316L Seamless
- RW = 316L Welded

R | S

Inner Alloy¹

- 1S = 304L Seamless (JIS Standard)
- 1W = 304L Welded (JIS Standard)
- NS = 316L Seamless (JIS Standard)
- NW = 316L Welded (JIS Standard)
- RS = 316L Seamless
- RW = 316L Welded

0 | 2 | 0 (X | X)

Inner Size

Use for:	
20-foot & 6-meter Length Tube	4-meter Length Tube
008	08 = 8A Pipe, Schedule 5
010	10 = 10A Pipe, Schedule 5
015	15 = 15A Pipe, Schedule 5
020	20 = 20A Pipe, Schedule 5
025	25 = 25A Pipe, Schedule 5
032	32 = 32A Pipe, Schedule 5

A

End Type Code

- A = Square
- B = 32.5° Beveled
- C = Square, +10% / -15% Wall
- D = 32.5° Beveled, +10% / -15% Wall
- J = Square, +Unspecified / -20% Wall
- K = 32.5° Beveled, +Unspecified / -20% Wall

x4 Used Only for 4-Meter Length Tube

A | 5

Surface Finish & Visuals

- Used only for 401 product line
- A5 = 5µin Ra Max, Superior Visuals
 - A7 = 7µin Ra Max, Superior Visuals
 - B0 = 10µin Ra Max, Standard Visuals
 - C0 = 10µin Ra, Relaxed Visuals

Notes:

1. See Valex SP-9200 sheet 9 for breakdown of alloy chemistries and melt type.

Coaxial Fittings

Product Lines: 401, 201 & 222

ASTM Tube Sizes

Example: C 3 1 - . 5 x (. 2 5) - B 0

Use Only for Reducing Fittings

C

Inner Process / Alloy¹

- C = SP-9220 (Product Line 401) OS/OW (316L)
- CB = SP-9206 (Product Line 201) OS/OW (316L)
- HC = SP-9207 (Product Line 222) HS (N06022)²
- R = SP-9220 (Product Line 401) VS (316L)
- RC = SP-9220 (Product Line 401) RS/RW (316L)
- W = SP-9220 (Product Line 401) KS (316L)
- WB = SP-9206 (Product Line 201) KS (316L)

Outer Alloy¹

- Blank = OS/OW (316L)
- 2 = 2S/2W (304L)
- A = AW (304)
- N = NS (316L)
- R = RS/RW (316L)

3 1

Configuration

- 2 = 90° Elbow
- 2K = 45° Elbow
- 7 = Equal Tee
- 7R = Reducing Tee
- 7P = Coax Purge Tee, Male
- 7PF = Coax Purge Tee, Female
- 7PFS = Coax Purge Tee w/ FS, Male
- 12 = Coax Sleeve
- 12E = Coax Sleeve (4=4", 5=5", 6=6")
- 14FS = Coax FS Weld Gland, Female
- 15FS = Coax FS Weld Gland, Male
- 16 = Coax Terminator
- 17BH = Coax Bulkhead Fitting
- 31 = Concentric Reducer

. 5

Size

- .25 = 1/4" O.D. x .035" Wall Inner Tube
1/2" O.D. x .049" Wall Outer Tube
- .25M = 1/4" O.D. x .039" (1mm) Wall Inner Tube
1/2" O.D. x .049" Wall Outer Tube
- .375 = 3/8" O.D. x .035" Wall Inner Tube
5/8" O.D. x .049" Wall Outer Tube
- .375M = 3/8" O.D. x .039" (1mm) Wall Inner Tube
5/8" O.D. x .049" Wall Outer Tube
- .5 = 1/2" O.D. x .049" Wall Inner Tube
3/4" O.D. x .065" Wall Outer Tube
- .75 = 3/4" O.D. x .065" Wall Inner Tube
1" O.D. x .065" Wall Outer Tube
- .75M = 3/4" O.D. x .049" Wall Inner Tube
1" O.D. x .065" Wall Outer Tube
- 1 = 1" O.D. x .065" Wall Inner Tube
1-1/4" O.D. x .065" Wall Outer Tube
- 1.5 = 1-1/2" O.D. x .065" Wall Inner Tube
2" O.D. x .065" Wall Outer Tube
- 2 = 2" O.D. x .065" Wall Inner Tube
2-1/2" O.D. x .065" Wall Outer Tube

(. 2 5)

Used Only

for Reducing Fittings

Please refer to the size code for dimensions, if applicable.

B 0

Surface Finish & Visuals

Used only for 401 product line

- A5 = 5µin Ra Max, Superior Visuals
- A7 = 7µin Ra Max, Superior Visuals
- B0 = 10µin Ra Max, Standard Visuals
- C0 = 10µin Ra, Relaxed Visuals

Coaxial Fitting Example 1:

C2-25-A5

Valex 401 Spec. Coaxial 90° Elbow, 1/4" (.035" wall) Inner, 1/2" (.049" Wall) Outer, Superior Visuals, 5 Ra Max, OS Inner Chemistry, OS Outer Chemistry.

Notes:

1. See Vallex SP-9200 sheet 9 for breakdown of alloy chemistries and melt type.
2. Material: Haynes Hastelloy® C-22® is available upon request. Hastelloy and C-22 are registered trademarks of Haynes International Inc.



Benefit From World Leadership

World class components from Valex don't just end at tube, pipe and fittings. Our product offerings extend to ball valves, instrumentation valves, headers, manifolds, and more. For more information, please visit our website at www.valex.com, or contact your Valex representative for details. Benefit from world leadership, and benefit from Valex.



Valex Corporate Offices & Manufacturing

6080 Leland Street
Ventura, CA 93003
United States of America
Phone: 805-658-0944

32 Hansan-gil
Cheongbuk-eup
Pyeongtaek-si, Gyeonggi-do
Republic of Korea
Phone: 82-31-683-0119

No. 358 Zhonggang Road
Xitangqiao Street
Haiyan Economic Development Zone
Zhejiang Province, P.R. China 314305
Phone: 86-573-86868221